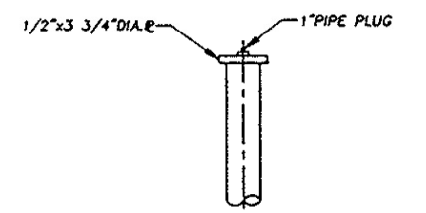
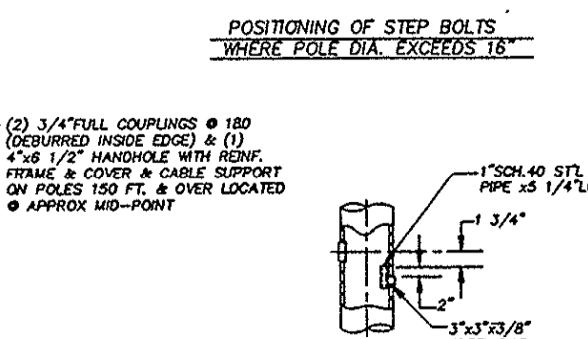
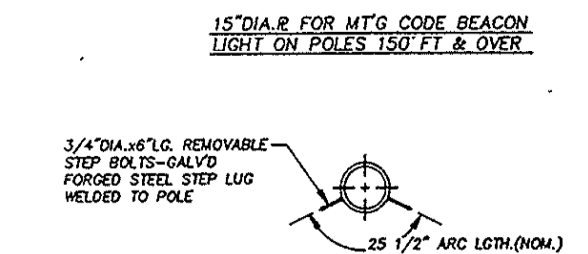
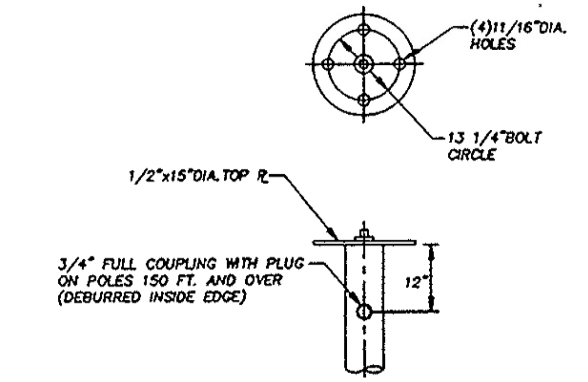
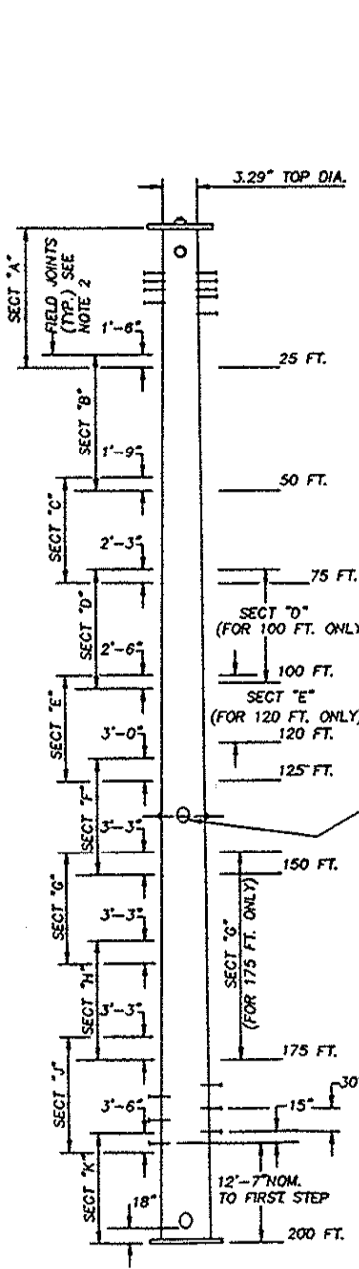
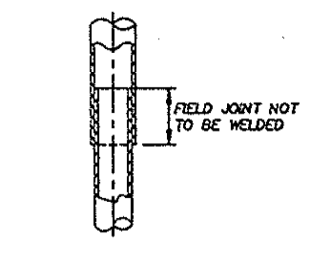


ANTENNA POLE DESIGNS WILL MEET THE FOLLOWING REQUIREMENTS:  
 1. ALLOWABLE PROJECTED AREA OF CYLINDRICAL SURFACE (Cd=0.67) MOUNTED AT THE TOP OF THE POLE TO ACCOMMODATE ANTENNAS AND LIGHTS FOR ELECTRONIC INDUSTRIES ASSOCIATION RS 222-C LOADING ZONES PER CHART. DESIGN STRESS Fb=60 F.Y.  
 2. THESE POLES OR IDENTICALLY DESIGNED AND MANUFACTURED POLES ARE WARRANTED TO WITHSTAND WITHOUT DESTRUCTION, AT OR BEFORE THE TIME OF PROPER INSTALLATION, SINGLE CONCENTRATED TEST LOADS, THE CALCULATED EQUIVALENT OF THE VELOCITY PRESSURE OF AT LEAST 170 M.P.H. AIR (.00256 M.P.H.<sup>2</sup>) USING THE CO-EFFICIENT OF DRAG OF .78 FOR PROJECTED AREA OF CYLINDRICAL SURFACES.

LOADING ZONE	HEIGHT ABOVE SURROUNDINGS	WIND PRESSURE	PROJECTED AREA
A	0'-300'	30#/FT. <sup>2</sup>	17.9 FT. <sup>2</sup>
B	0'-300'	40#/FT. <sup>2</sup>	12.2 FT. <sup>2</sup>
C	0'-300'	50#/FT. <sup>2</sup>	8.8 FT. <sup>2</sup>



TOP DETAIL FOR POLES THRU 125 FT.



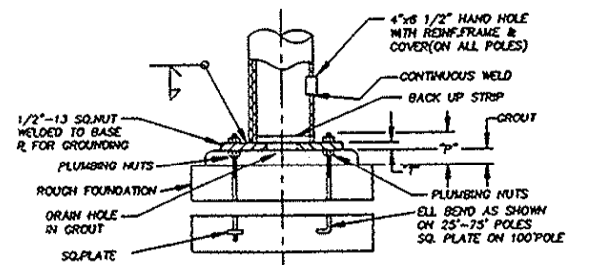
TYPICAL SECTION THRU TELESCOPIC FIELD JOINT

HEIGHT OF POLE	DESIGN NO.	BOTTOM DIA.	CENTER OF GRAVITY	LIFTING WGT. POLE ASSY ONLY	ANCHOR BOLTS *		NO. OF POLE STEPS	NO. OF SHIP SECTIONS
					SIZE	WGT. INCL. DBC NUTS		
25'-0"	RAS00-Y1	6.8"	10'-9"	190 LBS	1"x40"	32 LBS	4	12
50'-0"	RAS00-Y2	10"	18'-6"	640 LBS	1 1/2"x80"	131 LBS	4	32
75'-0"	RAS00-Y3	13.2"	24'-9"	1500 LBS	1 3/4"x90"	262 LBS	4	52
100'-0"	RAS00-Y4	16.2"	30'-3"	2920 LBS	2 1/4"x96"	491 LBS	4	72
120'-0"	RAS00-Y5	18.4"	36'-0"	4340 LBS	2"x90"	540 LBS	6	88
125'-0"	RAS00-Y6	19.1"	36'-3"	5010 LBS	2 1/4"x96"	736 LBS	8	92
150'-0"	RAS00-Y7	21.7"	43'-3"	7920 LBS	2 1/4"x96"	982 LBS	8	112
175'-0"	RAS00-Y8	24.2"	49'-6"	11,760 LBS	2 1/4"x96"	1228 LBS	10	132
200'-0"	RAS00-Y9	23.8"	52'-9"	18,120 LBS	2 1/2"x114"	2133 LBS	12	152

NOTE: CENTER OF GRAVITY MEASURED FROM BASE UP  
 \* CARBON STEEL BAR-MINIMUM YIELD 55,000 P.S.I.  
 MINIMUM ULTIMATE 90,000 P.S.I.

POLE HGT.	BASE DATA							I.D.
	"B.C."	"Y"	"S"	"T"	"P"	"X"		
25'-0"	10"	13"	10 1/2"	1"	4 1/4"	7 1/16"	5"	
50'-0"	13 1/2"	17 1/2"	14 1/8"	1 1/2"	6 1/4"	9 9/16"	8"	
75'-0"	18"	23"	18 1/2"	2"	7 1/2"	12 3/4"	11"	
100'-0"	23 1/2"	30 1/2"	24 1/2"	2 1/2"	9 1/2"	16 5/8"	14"	
120'-0"	26 1/2"	33 13/16"	30 1/2"	1 3/4"	8"	13 25/32"	14"	
125'-0"	25 1/4"	33 13/16"	30 1/2"	1 3/4"	8 3/4"	12 62/128"	16 1/2"	
150'-0"	29 1/4"	38"	35 3/4"	2 1/4"	9 1/4"	11 19/32"	18"	
175'-0"	30 1/4"	39 1/4"	39 1/4"	2 1/4"	9 1/4"	9 35/64"	21"	
200'-0"	32"	40 3/4"	40 3/4"	3"	10 3/4"	8 28/64"	19 1/2"	

DESIGN NO.	HGT.	TUBE DATA									
		SECTION-"A"	SECTION-"B"	SECTION-"C"	SECTION-"D"	SECTION-"E"	SECTION-"F"	SECTION-"G"	SECTION-"H"	SECTION-"J"	SECTION-"K"
RAS00-Y1	25'-0"	11E-6.79x3.29x25'-0"	7E-10.05x6.34x26'-6"								
RAS00-Y2	50'-0"	W1E-6.79x3.29x25'-0"	7E-10.05x6.34x26'-6"	3E-13.19x9.45x26'-9"							
RAS00-Y3	75'-0"	W1E-6.79x3.29x25'-0"	7E-10.05x6.34x26'-6"	3E-13.19x9.45x26'-9"	0E-16.18x12.38x27'-3"						
RAS00-Y4	100'-0"	W1E-6.79x3.29x25'-0"	7E-10.05x6.34x26'-6"	3E-13.19x9.45x26'-9"	0E-16.18x12.38x27'-3"	27E-18.38x15.42x21'-0"					
RAS00-Y5	120'-0"	W1E-6.79x3.29x25'-0"	7E-10.05x6.34x26'-6"	3E-13.19x9.45x26'-9"	0E-16.18x12.38x27'-3"	27E-18.38x15.42x21'-0"	3+7E-19.06x15.42x26'-0"				
RAS00-Y6	125'-0"	W1E-6.79x3.29x25'-0"	7E-10.05x6.34x26'-6"	3E-13.19x9.45x26'-9"	0E-16.18x12.38x27'-3"	27E-18.38x15.42x21'-0"	3+7E-19.06x15.42x26'-0"	23E-21.70x17.78x28'-0"			
RAS00-Y7	150'-0"	W1E-6.79x3.29x25'-0"	7E-10.05x6.34x26'-6"	3E-13.19x9.45x26'-9"	0E-16.18x12.38x27'-3"	27E-18.38x15.42x21'-0"	3+7E-19.06x15.42x26'-0"	23E-21.70x17.78x28'-0"	0+3E-24.2x20.25x28'-3"		
RAS00-Y8	175'-0"	W1E-6.79x3.29x25'-0"	7E-10.05x6.34x26'-6"	3E-13.19x9.45x26'-9"	0E-16.18x12.38x27'-3"	27E-18.38x15.42x21'-0"	3+7E-19.06x15.42x26'-0"	23E-21.70x17.78x28'-0"	0+3E-24.2x20.25x28'-3"	1W+3E-22.45x20.45x15'-9"	
RAS00-Y9	200'-0"	W1E-6.79x3.29x25'-0"	7E-10.05x6.34x26'-6"	3E-13.19x9.45x26'-9"	0E-16.18x12.38x27'-3"	27E-18.38x15.42x21'-0"	3+7E-19.06x15.42x26'-0"	23E-21.70x17.78x28'-0"	0+3E-24.2x20.25x28'-3"	1W+3E-22.45x20.45x15'-9"	1W2E-23.07x20.85x15'-9"



11E=1196 THK. x 14' FT. TAPER  
 7E=1793 THK. x 14' FT. TAPER  
 3E=2500 THK. x 14' FT. TAPER  
 0E=3125 THK. x 14' FT. TAPER

MATERIAL SPECIFICATIONS	
POLES (PAINTED OR GALV.)	ASTM-A595, GR. A (UM-S2B)
POLES (WEATHERING)	ASTM-A595, GR. C (UM-S44)
PLATES & SHAPES (POT. OR GALV.)	ASTM-A36
PLATES & SHAPES (WEATHERING)	ASTM-A588
ANCHOR BOLTS	ASTM-A36 455(55 KSI)

\*NOTE SEE B1

SELF SUPPORTING