

INDEX OF SHEETS

0-0	COVER SHEET
0-1	ITEM LIST
1-0	EXTERIOR ELEVATION "A, B, C, D"
2-0	FLOOR PLAN
3-0	REFLECTED CEILING PLAN - ELECTRICAL
3-1	REFLECTED CEILING PLAN - MECHANICAL
4-0	INTERIOR ELEVATION "A & C"
4-1	INTERIOR ELEVATION "B"
4-2	INTERIOR ELEVATIONS "D"
5-0	ELECTRICAL SCHEMATIC
5-1	LOW VOLTAGE WIRING
6-0	FOUNDATION PLAN
S0-0	STRUCTURAL SPECIFICATIONS
S1-0	STRUCTURAL DETAILS
S2-0	STRUCTURAL LAYOUT - FLOOR
S3-0	STRUCTURAL LAYOUT - ROOF
S4-0	STRUCTURAL LAYOUT - SIDE PANEL "A & C"
S4-1	STRUCTURAL LAYOUT - SIDE PANEL "B"
S4-2	STRUCTURAL LAYOUT - END PANELS "D"

CODE SUMMARY

BUILDING CODE	CONSTRUCTION TYPE	USE GROUP
SBC - 1994	IV-UNP	S-2
SMC - 1994		
NEC - 1996		
OCCUPANT LOAD = 0		
NOT INTENDED FOR HUMAN HABITATION		
SPECIAL CONDITIONS: N/A		
PERMISSIBLE TYPES OF GASES: N/A		

DESIGN PARAMETERS

ROOF LIVE LOAD: 89 PSF
 FLOOR LIVE LOAD: 199 PSF
 WIND SPEED: 126 MPH/EXPOSURE D
 SEISMIC ZONE: 4
 CONCRETE f'c: 5000 PSI AT 28 DAYS
 CONCRETE UNIT WEIGHT: 110 PCF
 MODEL MAY BE MIRROR IMAGE

PHYSICAL PROPERTIES

SHELTER DIMENSIONS: 11'-6"w X 20'-0"l X 10'-3 1/2"h
 SHIPPING DIMENSIONS: 12'-0"w X 20'-6"l X 10'-3 1/2"h
 INTERIOR DIMENSIONS: 10'-5 1/4"w X 18'-11 1/4"l X 9'-2"h
 SHELTER WEIGHT (AS SHIPPED): 48,000 #

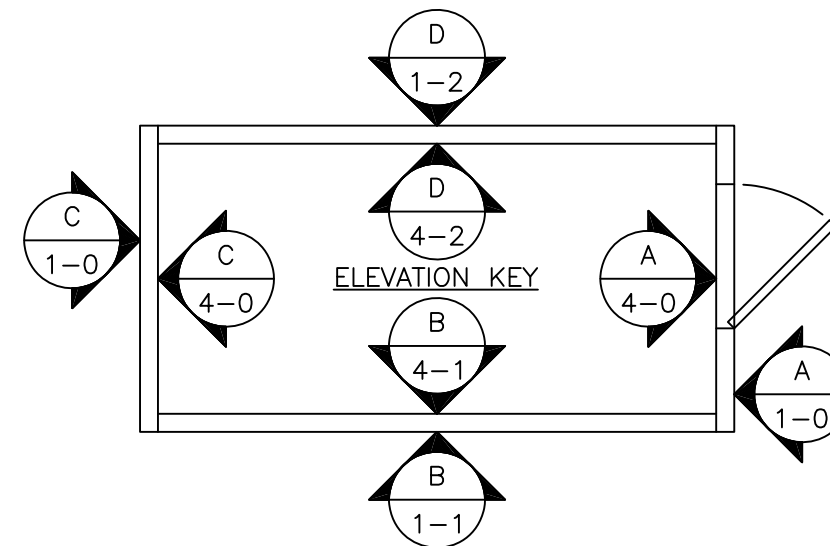
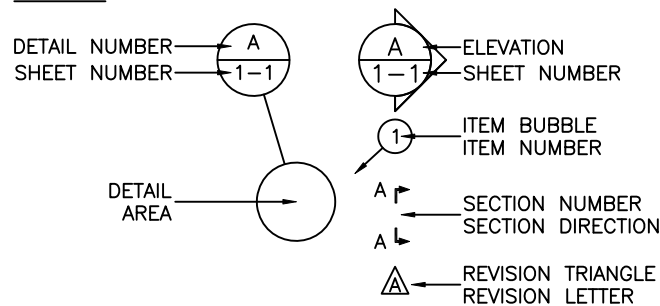
FINISH SCHEDULE

EXTERIOR WALLS: EXPOSED LIGHT WEIGHT AGGREGATE
 EXTERIOR METALS: PPG URETEK, CUSTOM COLOR MATCH
 INTERIOR WALLS: 3/8" FRP/7/16" OSB/1 1/2" R-MAX TSX8500 INSULATION
 CEILING: 3/8" FRP/7/16" OSB/2" R-MAX TSX8500 INSULATION
 FLOORING: .100 VINYL TILE, CONGOLEUM CX-14, COLOR "WHITE/LIGHT PEBBLE"

ABBREVIATIONS

A	AMPS	NOM	NOMINAL
@	AT	NC	NOMINALLY OPEN
BLK	BLACK	NO	NOMINALLY CLOSED
BLU	BLUE	NTS	NOT TO SCALE
BRN	BROWN	OR	ORANGE
BLDG	BUILDING	OD	OUTSIDE DIAMETER/OUTSIDE DIMENSION
BOCA	BUILDING OFFICIALS CODE ADMINISTRATION	P	POLE
C	CENTERLINE	POS	POSITIVE
C/C	CENTER TO CENTER	LB	POUND (S)
CKT	CIRCUIT	PSF	POUNDS PER SQUARE FOOT
CONC	CONCRETE	PSI	POUNDS PER SQUARE INCH
CU YD	CUBIC YARD	QTY	QUANTITY
DIA/Ø	DIAMETER	RECPT	RECEPTACLE
DIM	DIMENSION	RECT	RECTIFIER
DP	DOUBLE POLE	REBAR	REINFORCING STEEL BAR
DPDT	DOUBLE POLE DOUBLE THROW	REQ'D.	REQUIRED
DPST	DOUBLE POLE SINGLE THROW	REV	REVISION
DT	DOUBLE THROW	R	RIGHT
DWG	DRAWING	RH	RIGHT HAND
EA	EACH	SHT	SHEET
ELEC	ELECTRIC/ELECTRICAL	1Ø	SINGLE PHASE
EMT	ELECTRICAL METALLIC TUBING	SPDT	SINGLE POLE DOUBLE THROW
ENT	ELECTRICAL NON-METALLIC TUBING	SPST	SINGLE POLE SINGLE THROW
ELEV	ELEVATION	SW	SINGLE POLE SWITCH
EQUIP	EQUIPMENT	SQ FT	SQUARE FEET
EXT	EXTERIOR	SQ IN	SQUARE INCH
FMLC	FLEXIBLE METALLIC LIQUID TIGHT CONDUIT	STD	STANDARD
FNLC	FLEXIBLE NON-METALLIC LIQUID TIGHT CONDUIT	SBC	STANDARD BUILDING CODE
FND	FOUNDATION	SW	SWITCH
GALV	GALVANIZED	TEMP	TEMPERATURE
GEN	GENERATOR	TSTAT	THERMOSTAT
GRN	GREEN	3Ø	THREE PHASE
GND	GROUND	3P	THREE POLE
GFCI	GROUND FAULT CIRCUIT INTERRUPTER	3W	THREE WIRE
HVAC	HEATING, VENTILATION, AND AIR CONDITIONING	TYP	TYPICAL
HOR	HORIZONTAL	UL	UNDERWRITERS LABORATORIES INC.
IN	INCH	UBC	UNIFORM BUILDING CODE
ID	INSIDE DIAMETER/INSIDE DIMENSION	UMC	UNIFORM MECHANICAL CODE
INSUL	INSULATION	VENT	VENTILATION
INT	INTERIOR	V	VOLT
IMC	INTERNATIONAL MECHANICAL CODE	W	WATTS
IPC	INTERNATIONAL PLUMBING CODE	WP	WEATHER PROOF
IG	ISOLATED GROUND	WLD	WELDED
JB	JUNCTION BOX	WWF	WELDED WIRE FABRIC
KW	KILOWATT	WHT	WHITE
KO	KNOCKOUT	W/	WITH
L	LEFT	W/O	WITHOUT
LH	LEFT HAND	YEL	YELLOW
LTG	LIGHT/LIGHTNING		
LL	LIVE LOAD		
LV	LOW VOLTAGE		
MFG	MANUFACTURER		
MISC	MISCELLANEOUS		
NEC	NATIONAL ELECTRIC CODE		
NEG	NEGATIVE		

SYMBOLS



THIS DRAWING IS THE CONFIDENTIAL PROPERTY AND CONTAINS TRADE SECRETS OF CELLXION, LLC. ANY USE OF THESE DRAWINGS OR THE INFORMATION CONTAINED HEREIN FOR ANY REASON OTHER THAN AS EXPRESSLY AUTHORIZED BY CELLXION, LLC. IS STRICTLY PROHIBITED. THIS DRAWING HAS BEEN DISTRIBUTED WITH THE UNDERSTANDING THAT ANYONE RECEIVING OR OTHERWISE OBTAINING POSSESSION OF IT WILL BE EXPRESSLY NOTIFIED OF ITS CONFIDENTIAL NATURE.

Cellxion
 5031 Hazel Jones Road
 Bossier City, Louisiana 71111
 voice: (318) 213-2900
 fax: (318) 213-2919
 www.cellxion.com

CUSTOMER:
TRITON PCS

PROJECT:
11'-6" X 20'-0" EQUIPMENT SHELTER COVER SHEET

FILENAME: TRIO1\TRIO10-0-GA	
SCALE: N.T.S.	TOLERANCE:
DRWN. BY: S. MARTIN	DATE: 8/11/99
CHK. BY: V. HASSELL	DATE: 8/11/99
ENG. BY: K. BARNETT	DATE: 8/11/99
APP. BY: J. HOOD	DATE: 8/11/99
SHEET NO. 0-0-GA	
DRAWING NO.: TRIO1	

INDEX OF SHEETS

0-0	COVER SHEET
0-1	ITEM LIST
1-0	EXTERIOR ELEVATION "A, B, C, D"
2-0	FLOOR PLAN
3-0	REFLECTED CEILING PLAN - ELECTRICAL
3-1	REFLECTED CEILING PLAN - MECHANICAL
4-0	INTERIOR ELEVATION "A & C"
4-1	INTERIOR ELEVATION "B"
4-2	INTERIOR ELEVATIONS "D"
5-0	ELECTRICAL SCHEMATIC
5-1	LOW VOLTAGE WIRING
6-0	FOUNDATION PLAN
S0-0	STRUCTURAL SPECIFICATIONS
S0-1	STRUCTURAL DETAILS
S2-0	STRUCTURAL LAYOUT - FLOOR
S3-0	STRUCTURAL LAYOUT - ROOF
S4-0	STRUCTURAL LAYOUT - SIDE PANEL "A & C"
S4-1	STRUCTURAL LAYOUT - SIDE PANEL "B"
S4-2	STRUCTURAL LAYOUT - END PANELS "D"

CODE SUMMARY

BUILDING CODE	CONSTRUCTION TYPE	USE GROUP
NC BUILDING CODE		
W/ 1996/97/98/99		
REV. VOL. I	VI-UNP	S-2
W/ 1996/97/98/99		
REV. VOL. III		
NEC 1999		
OCCUPANT LOAD = 0		
NOT INTENDED FOR HUMAN HABITATION		
SPECIAL CONDITIONS: N/A		
PERMISSIBLE TYPES OF GASES: N/A		

DESIGN PARAMETERS

ROOF LIVE LOAD: 89 PSF
 FLOOR LIVE LOAD: 199 PSF
 WIND SPEED: 126 MPH/EXPOSURE D
 SEISMIC ZONE: 4
 CONCRETE f'c: 5000 PSI AT 28 DAYS
 CONCRETE UNIT WEIGHT: 110 PCF
 MODEL MAY BE MIRROR IMAGE

PHYSICAL PROPERTIES

SHELTER DIMENSIONS: 11'-6"w X 20'-0"l X 10'-3 1/2"h
 SHIPPING DIMENSIONS: 12'-0"w X 20'-6"l X 10'-3 1/2"h
 INTERIOR DIMENSIONS: 10'-5 1/4"w X 18'-11 1/4"l X 9'-2"h
 SHELTER WEIGHT (AS SHIPPED): 48,000 #

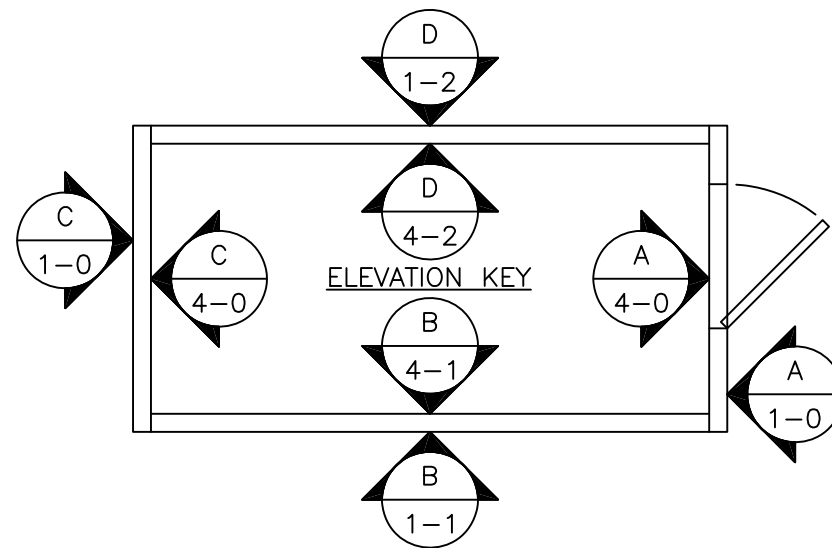
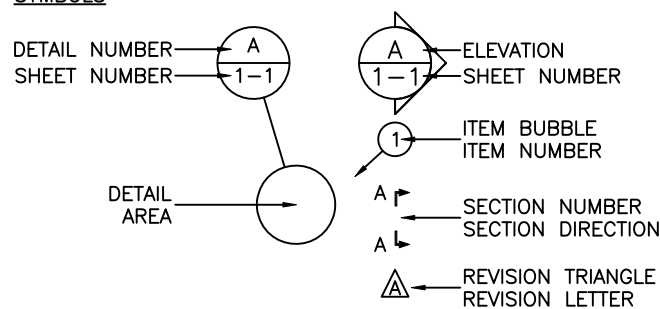
FINISH SCHEDULE

EXTERIOR WALLS: EXPOSED LIGHT WEIGHT AGGREGATE
 EXTERIOR METALS: PPG URETEK, CUSTOM COLOR MATCH
 INTERIOR WALLS: 3/8" FRP/7/16" OSB/1 1/2" R-MAX TSX8500 INSULATION
 CEILING: 3/8" FRP/7/16" OSB/2" R-MAX TSX8500 INSULATION
 FLOORING: .100 VINYL TILE, CONGOLEUM CX-14, COLOR "WHITE/LIGHT PEBBLE"

ABBREVIATIONS

A	AMPS	NOM	NOMINAL
@	AT	NC	NOMINALLY OPEN
BLK	BLACK	NO	NOMINALLY CLOSED
BLU	BLUE	NTS	NOT TO SCALE
BRN	BROWN	OR	ORANGE
BLDG	BUILDING	OD	OUTSIDE DIAMETER/OUTSIDE DIMENSION
BOCA	BUILDING OFFICIALS CODE ADMINISTRATION	P	POLE
C	CENTERLINE	POS	POSITIVE
C/C	CENTER TO CENTER	LB	POUND (S)
CKT	CIRCUIT	PSF	POUNDS PER SQUARE FOOT
CONC	CONCRETE	PSI	POUNDS PER SQUARE INCH
CU YD	CUBIC YARD	QTY	QUANTITY
DIA/Ø	DIAMETER	RECPT	RECEPTACLE
DIM	DIMENSION	RECT	RECTIFIER
DP	DOUBLE POLE	REBAR	REINFORCING STEEL BAR
DPDT	DOUBLE POLE DOUBLE THROW	REQ'D.	REQUIRED
DPST	DOUBLE POLE SINGLE THROW	REV	REVISION
DT	DOUBLE THROW	R	RIGHT
DWG	DRAWING	RH	RIGHT HAND
EA	EACH	SHT	SHEET
ELEC	ELECTRIC/ELECTRICAL	1Ø	SINGLE PHASE
EMT	ELECTRICAL METALLIC TUBING	SPDT	SINGLE POLE DOUBLE THROW
ENT	ELECTRICAL NON-METALLIC TUBING	SPST	SINGLE POLE SINGLE THROW
ELEV	ELEVATION	SW	SINGLE POLE SWITCH
EQUIP	EQUIPMENT	SQ FT	SQUARE FEET
EXT	EXTERIOR	SQ IN	SQUARE INCH
FMLC	FLEXIBLE METALLIC LIQUID TIGHT CONDUIT	STD	STANDARD
FNLC	FLEXIBLE NON-METALLIC LIQUID TIGHT CONDUIT	SBC	STANDARD BUILDING CODE
FND	FOUNDATION	SW	SWITCH
GALV	GALVANIZED	TEMP	TEMPERATURE
GEN	GENERATOR	TSTAT	THERMOSTAT
GRN	GREEN	3Ø	THREE PHASE
GND	GROUND	3P	THREE POLE
GFCI	GROUND FAULT CIRCUIT INTERRUPTER	3W	THREE WIRE
HVAC	HEATING, VENTILATION, AND AIR CONDITIONING	TYP	TYPICAL
HOR	HORIZONTAL	UL	UNDERWRITERS LABORATORIES INC.
IN	INCH	UBC	UNIFORM BUILDING CODE
ID	INSIDE DIAMETER/INSIDE DIMENSION	UMC	UNIFORM MECHANICAL CODE
INSUL	INSULATION	VENT	VENTILATION
INT	INTERIOR	V	VOLT
IMC	INTERNATIONAL MECHANICAL CODE	W	WATTS
IPC	INTERNATIONAL PLUMBING CODE	WP	WEATHER PROOF
IG	ISOLATED GROUND	WLD	WELDED
JB	JUNCTION BOX	WWF	WELDED WIRE FABRIC
KW	KILOWATT	WHT	WHITE
KO	KNOCKOUT	W/	WITH
L	LEFT	W/O	WITHOUT
LH	LEFT HAND	YEL	YELLOW
LTG	LIGHT/LIGHTNING		
LL	LIVE LOAD		
LV	LOW VOLTAGE		
MFG	MANUFACTURER		
MISC	MISCELLANEOUS		
NEC	NATIONAL ELECTRIC CODE		
NEG	NEGATIVE		

SYMBOLS



THIS DRAWING IS THE CONFIDENTIAL PROPERTY AND CONTAINS TRADE SECRETS OF CELLXION, LLC. ANY USE OF THESE DRAWINGS OR THE INFORMATION CONTAINED HEREIN FOR ANY REASON OTHER THAN AS EXPRESSLY AUTHORIZED BY CELLXION, LLC. IS STRICTLY PROHIBITED. THIS DRAWING HAS BEEN DISTRIBUTED WITH THE UNDERSTANDING THAT ANYONE RECEIVING OR OTHERWISE OBTAINING POSSESSION OF IT WILL BE EXPRESSLY NOTIFIED OF ITS CONFIDENTIAL NATURE.

Cellxion
 5031 Hazel Jones Road
 Bossier City, Louisiana 71111
 voice: (318) 213-2900
 fax: (318) 213-2919
 www.cellxion.com

CUSTOMER:
TRITON PCS

PROJECT:
11'-6" X 20'-0" EQUIPMENT SHELTER COVER SHEET

FILENAME: TRIO1\TRIO10-0-NC	
SCALE: N.T.S.	TOLERANCE:
DRWN. BY: S. MARTIN	DATE: 8/11/99
CHK. BY: V. HASSELL	DATE: 8/11/99
ENG. BY: K. BARNETT	DATE: 8/11/99
APP. BY: J. HOOD	DATE: 8/11/99
SHEET NO. 0-0-NC	
DRAWING NO.: TRIO1	

INDEX OF SHEETS

0-0	COVER SHEET
0-1	ITEM LIST
1-0	EXTERIOR ELEVATION "A, B, C, D"
2-0	FLOOR PLAN
3-0	REFLECTED CEILING PLAN - ELECTRICAL
3-1	REFLECTED CEILING PLAN - MECHANICAL
4-0	INTERIOR ELEVATION "A & C"
4-1	INTERIOR ELEVATION "B"
4-2	INTERIOR ELEVATIONS "D"
5-0	ELECTRICAL SCHEMATIC
5-1	LOW VOLTAGE WIRING
6-0	FOUNDATION PLAN
S0-0	STRUCTURAL SPECIFICATIONS
S1-0	STRUCTURAL DETAILS
S2-0	STRUCTURAL LAYOUT - FLOOR
S3-0	STRUCTURAL LAYOUT - ROOF
S4-0	STRUCTURAL LAYOUT - SIDE PANEL "A & C"
S4-1	STRUCTURAL LAYOUT - SIDE PANEL "B"
S4-2	STRUCTURAL LAYOUT - END PANELS "D"

CODE SUMMARY

BUILDING CODE	CONSTRUCTION TYPE	USE GROUP
SBC - 1997	IV-UNP	S-2
SMC - 1997		
NEC - 1996		
OCCUPANT LOAD = 0		
NOT INTENDED FOR HUMAN HABITATION		
SPECIAL CONDITIONS: N/A		
PERMISSIBLE TYPES OF GASES: N/A		

DESIGN PARAMETERS

ROOF LIVE LOAD: 89 PSF
 FLOOR LIVE LOAD: 199 PSF
 WIND SPEED: 126 MPH/EXPOSURE D
 SEISMIC ZONE: 4
 CONCRETE f'c: 5000 PSI AT 28 DAYS
 CONCRETE UNIT WEIGHT: 110 PCF
 MODEL MAY BE MIRROR IMAGE

PHYSICAL PROPERTIES

SHELTER DIMENSIONS: 11'-6"w X 20'-0"l X 10'-3 1/2"h
 SHIPPING DIMENSIONS: 12'-0"w X 20'-6"l X 10'-3 1/2"h
 INTERIOR DIMENSIONS: 10'-5 1/4"w X 18'-11 1/4"l X 9'-2"h
 SHELTER WEIGHT (AS SHIPPED): 48,000 #

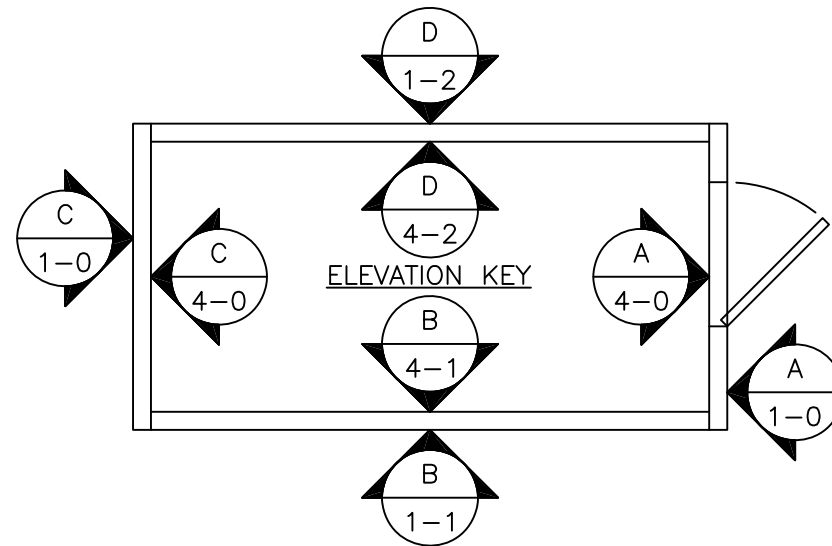
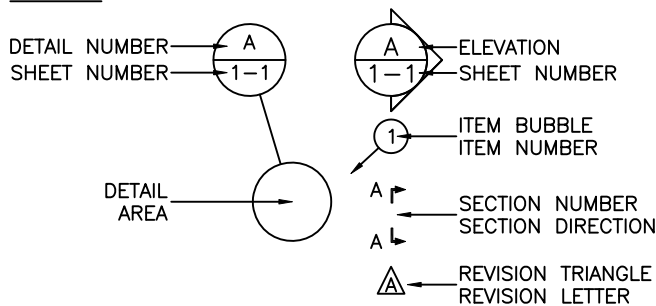
FINISH SCHEDULE

EXTERIOR WALLS: EXPOSED LIGHT WEIGHT AGGREGATE
 EXTERIOR METALS: PPG URETEK, CUSTOM COLOR MATCH
 INTERIOR WALLS: 3/8" FRP/7/16" OSB/1 1/2" R-MAX TSX8500 INSULATION
 CEILING: 3/8" FRP/7/16" OSB/2" R-MAX TSX8500 INSULATION
 FLOORING: .100 VINYL TILE, CONGOLEUM CX-14, COLOR "WHITE/LIGHT PEBBLE"

ABBREVIATIONS

A	AMPS	NOM	NOMINAL
@	AT	NC	NOMINALLY OPEN
BLK	BLACK	NO	NOMINALLY CLOSED
BLU	BLUE	NTS	NOT TO SCALE
BRN	BROWN	OR	ORANGE
BLDG	BUILDING	OD	OUTSIDE DIAMETER/OUTSIDE DIMENSION
BOCA	BUILDING OFFICIALS CODE ADMINISTRATION	P	POLE
C	CENTERLINE	POS	POSITIVE
C/C	CENTER TO CENTER	LB	POUND (S)
CKT	CIRCUIT	PSF	POUNDS PER SQUARE FOOT
CONC	CONCRETE	PSI	POUNDS PER SQUARE INCH
CU YD	CUBIC YARD	QTY	QUANTITY
DIA/Ø	DIAMETER	RECPT	RECEPTACLE
DIM	DIMENSION	RECT	RECTIFIER
DP	DOUBLE POLE	REBAR	REINFORCING STEEL BAR
DPDT	DOUBLE POLE DOUBLE THROW	REQ'D.	REQUIRED
DPST	DOUBLE POLE SINGLE THROW	REV	REVISION
DT	DOUBLE THROW	R	RIGHT
DWG	DRAWING	RH	RIGHT HAND
EA	EACH	SHT	SHEET
ELEC	ELECTRIC/ELECTRICAL	1Ø	SINGLE PHASE
EMT	ELECTRICAL METALLIC TUBING	SPDT	SINGLE POLE DOUBLE THROW
ENT	ELECTRICAL NON-METALLIC TUBING	SPST	SINGLE POLE SINGLE THROW
ELEV	ELEVATION	SW	SINGLE POLE SWITCH
EQUIP	EQUIPMENT	SQ FT	SQUARE FEET
EXT	EXTERIOR	SQ IN	SQUARE INCH
FMLC	FLEXIBLE METALLIC LIQUID TIGHT CONDUIT	STD	STANDARD
FNLC	FLEXIBLE NON-METALLIC LIQUID TIGHT CONDUIT	SBC	STANDARD BUILDING CODE
FND	FOUNDATION	SW	SWITCH
GALV	GALVANIZED	TEMP	TEMPERATURE
GEN	GENERATOR	TSTAT	THERMOSTAT
GRN	GREEN	3Ø	THREE PHASE
GND	GROUND	3P	THREE POLE
GFCI	GROUND FAULT CIRCUIT INTERRUPTER	3W	THREE WIRE
HVAC	HEATING, VENTILATION, AND AIR CONDITIONING	TYP	TYPICAL
HOR	HORIZONTAL	UL	UNDERWRITERS LABORATORIES INC.
IN	INCH	UBC	UNIFORM BUILDING CODE
ID	INSIDE DIAMETER/INSIDE DIMENSION	UMC	UNIFORM MECHANICAL CODE
INSUL	INSULATION	VENT	VENTILATION
INT	INTERIOR	V	VOLT
IMC	INTERNATIONAL MECHANICAL CODE	W	WATTS
IPC	INTERNATIONAL PLUMBING CODE	WP	WEATHER PROOF
IG	ISOLATED GROUND	WLD	WELDED
JB	JUNCTION BOX	WWF	WELDED WIRE FABRIC
KW	KILOWATT	WHT	WHITE
KO	KNOCKOUT	W/	WITH
L	LEFT	W/O	WITHOUT
LH	LEFT HAND	YEL	YELLOW
LTG	LIGHT/LIGHTNING		
LL	LIVE LOAD		
LV	LOW VOLTAGE		
MFG	MANUFACTURER		
MISC	MISCELLANEOUS		
NEC	NATIONAL ELECTRIC CODE		
NEG	NEGATIVE		

SYMBOLS



THIS DRAWING IS THE CONFIDENTIAL PROPERTY AND CONTAINS TRADE SECRETS OF CELLXION, LLC. ANY USE OF THESE DRAWINGS OR THE INFORMATION CONTAINED HEREIN FOR ANY REASON OTHER THAN AS EXPRESSLY AUTHORIZED BY CELLXION, LLC. IS STRICTLY PROHIBITED. THIS DRAWING HAS BEEN DISTRIBUTED WITH THE UNDERSTANDING THAT ANYONE RECEIVING OR OTHERWISE OBTAINING POSSESSION OF IT WILL BE EXPRESSLY NOTIFIED OF ITS CONFIDENTIAL NATURE.

Cellxion
 5031 Hazel Jones Road
 Bossier City, Louisiana 71111
 voice: (318) 213-2900
 fax: (318) 213-2919
 www.cellxion.com

CUSTOMER:
TRITON PCS

PROJECT:
11'-6" X 20'-0" EQUIPMENT SHELTER COVER SHEET

FILENAME: TRIO1\TRIO10-0-SC	
SCALE: N.T.S.	TOLERANCE:
DRWN. BY: S. MARTIN	DATE: 8/11/99
CHK. BY: V. HASSELL	DATE: 8/11/99
ENG. BY: K. BARNETT	DATE: 8/11/99
APP. BY: J. HOOD	DATE: 8/11/99
SHEET NO. 0-0-SC	
DRAWING NO.: TRIO1	

ITEM LIST

ITEM NO.	QUANTITY	U/M	PART NO.	DESCRIPTION
1	1	EA.	520100	HVAC #1, 3 TON, 10KW, EUBANK
2	1	EA.	520100	HVAC #2, 3 TON, 10KW, EUBANK
3	1	EA.	430060	LOADCENTER, 200A, 42 CIRCUIT, CUTLER HAMMER
4	1	EA.	400536	ALARM FAIL RELAY W/ 6" X 6" JB
5	1	EA.		3670 DOOR W/ HARDWARE, CURRIES
6	1	EA.	470010	EMERGENCY LIGHT FIXTURE, SURELITES #OC-2 120V
7	1	EA.	430079	TECH ON SITE SWITCH W/ 4" X 4" JB
8	1	EA.	430084	EXTERIOR LIGHT SWITCH, 15A
9	1	EA.	430084	INTERIOR LIGHT SWITCH, 15A
10	1	EA.		TELCO BOARD, 4' X 4'
11	1	EA.		3" PCV TELCO ENTRY
12	1	EA.		EYE WASH KIT
13	1	EA.		FIRST AID KIT
14	1	EA.	390001	FIRE EXTINGUISHER, 10LB, CO2
15	1	EA.	460101	HIGH TEMPERATURE ALARM
16	1	EA.	460101	LOW TEMPERATURE ALARM
17	1	EA.	460104	LEAD/LAG CONTROLLER, #LLC-A, EUBANK
18	1	EA.		GROUND BAR, 4" X 24"
19	5	EA.	430034	DUPLEX RECEPTACLE, 20A
20	10	EA.	430036	4" X 4" JUNCTION BOX
21	1	EA.		3/4" X 9" GALVANIZED NIPPLE
22	1	EA.	430008	6" X 6" JUNCTION BOX
23	2	EA.		4" X 4" JB W/ 3/4" X 9" GALVANIZED NIPPLE
24	1	EA.		RECTIFIER DROPS, 20A, 3-WIRE CIRCUITS W/ GROUND IN SEALTITE
25	2	EA.		EXTERIOR FLOOD LIGHT W/ PHOTO CELL W/ MOTION SENSOR
26	9	EA.	470000	INTERIOR LIGHT FIXTURE, DUAL BULB, 40-WATT, W/ WRAP LENSES
27	1	EA.		ALARM BLOCK, 66 DRY TERMINAL
28	1	EA.		12" X 24" FLOOR PENETRATION
29	60	FT.		12" CABLETRAY
30	9	EA.		CABLETRAY HANGERS
31	1	EA.		CABLETRAY MOUNTING HARDWARE
32		EA.		LADDER (SHIP LOOSE)
33	1	EA.		SMOKE DETECTOR, ION
34	1	EA.		SMOKE DETECTOR, HEAT PHOTO
35	1	EA.		EXTERIOR GFI RECEPTACLE
36	1	EA.		14" X 26" PLATE
37	1	EA.		RECTIFIER DROP, 20A, 3-WIRE CIRCUITS W/ GROUND IN SEALTITE
38	1	EA.		RECTIFIER DROP, 20A, 3-WIRE CIRCUIT W/ GROUND IN SEALTITE
39	1	EA.		RECTIFIER DROP, 20A, 3-WIRE CIRCUITS W/ GROUND IN SEALTITE
40	1	EA.		RECTIFIER DROP, 20A, 3-WIRE CIRCUITS W/ GROUND IN SEALTITE
41	1	EA.		RECTIFIER DROP, 20A, 3-WIRE CIRCUITS W/ GROUND IN SEALTITE
42	1	EA.		3/4" PENETRATION FOR CUSTOMER ALARM CIRCUIT

△

THIS DRAWING IS THE CONFIDENTIAL PROPERTY AND CONTAINS TRADE SECRETS OF CELLXION, LLC. ANY USE OF THESE DRAWINGS OR THE INFORMATION CONTAINED HEREIN FOR ANY REASON OTHER THAN AS EXPRESSLY AUTHORIZED BY CELLXION, LLC. IS STRICTLY PROHIBITED. THIS DRAWING HAS BEEN DISTRIBUTED WITH THE UNDERSTANDING THAT ANYONE RECEIVING OR OTHERWISE OBTAINING POSSESSION OF IT WILL BE EXPRESSLY NOTIFIED OF ITS CONFIDENTIAL NATURE.

Cellxion

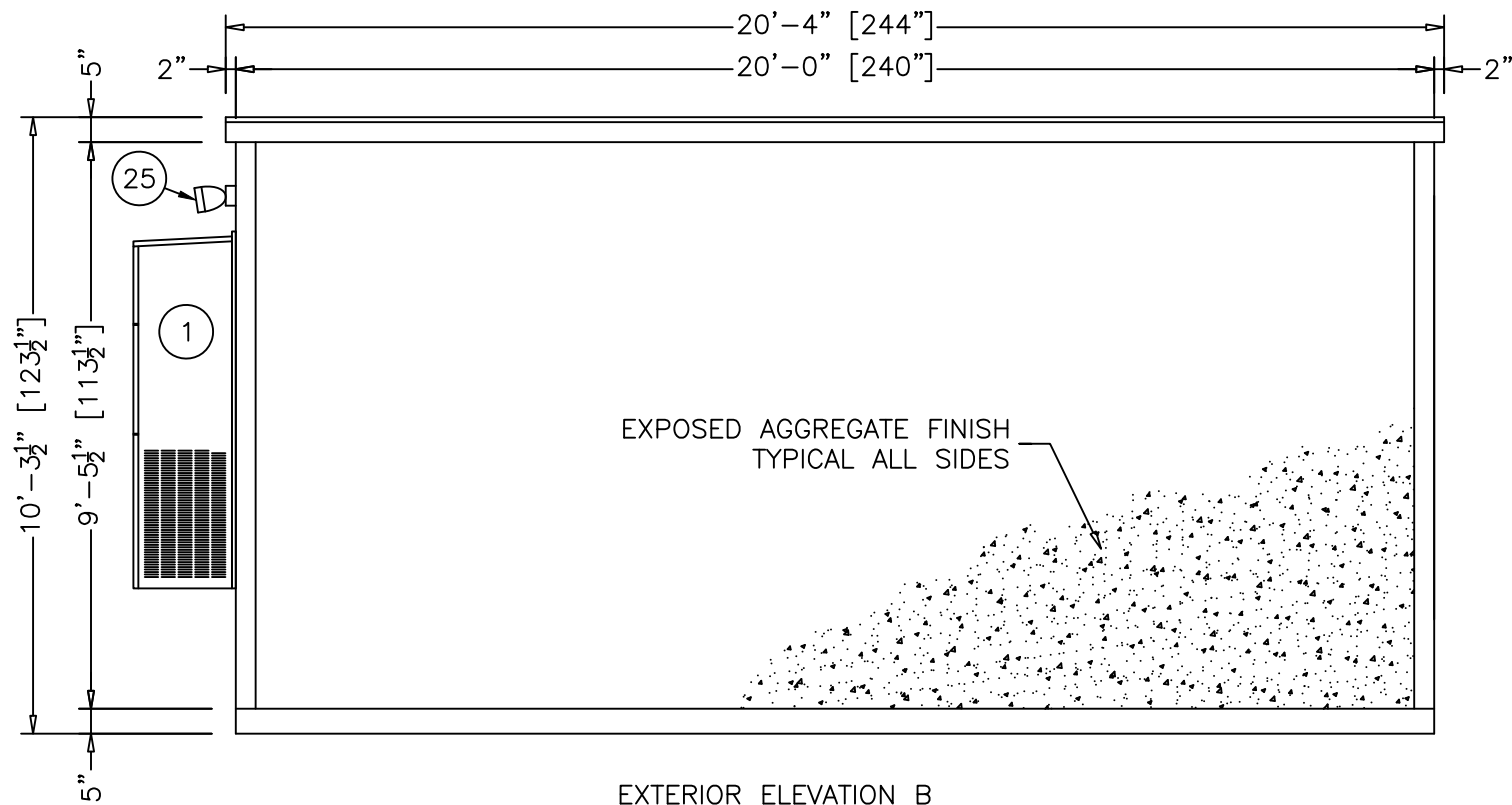
5031 Hazel Jones Road
Bossier City, Louisiana 71111
voice: (318) 213-2900
fax: (318) 213-2919
www.cellxion.com

CUSTOMER:
TRITON PCS

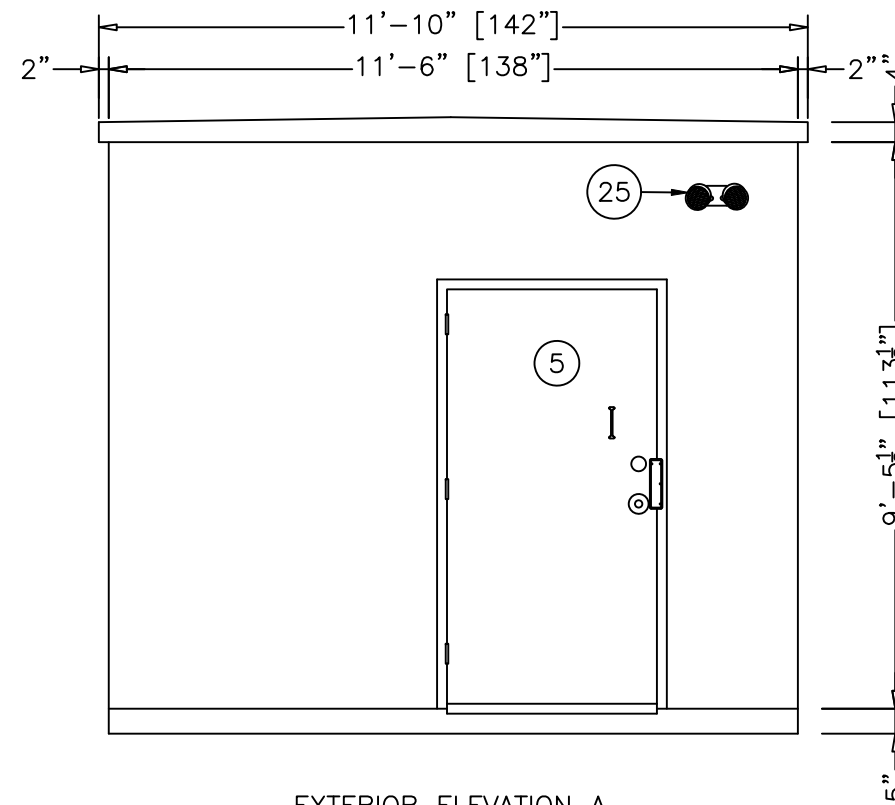
PROJECT:
**11'-6" X 20'-0"
EQUIPMENT SHELTER
ITEM LIST**

FILENAME: TRIO1\TRIO10-1	
SCALE: N.T.S.	TOLERANCE:
DRWN. BY: S. MARTIN	DATE: 8/11/99
CHK. BY: V. HASSELL	DATE: 8/11/99
ENG. BY: K. BARNETT	DATE: 8/11/99
APP. BY: J. HOOD	DATE: 8/11/99
SHEET NO. 0-1	
DRAWING NO.: TRIO1	

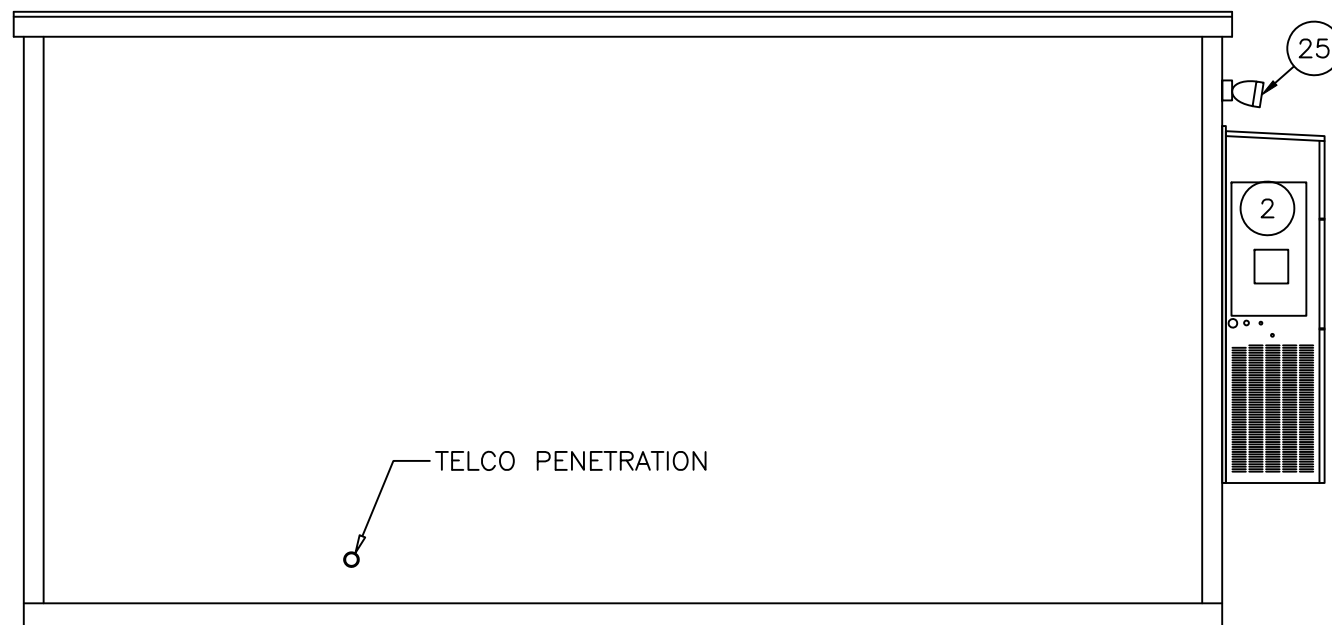
A	GE	9/10/99	ADDED 1 JUNCTION BOX, (ITEM 20)	VGH	9/10/99
REV	BY	DATE	DESCRIPTION	APP. BY	DATE



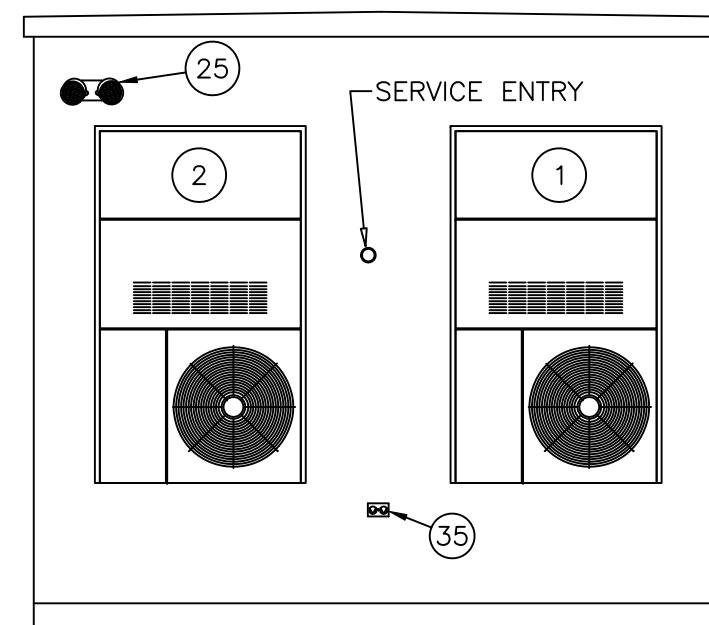
EXTERIOR ELEVATION B



EXTERIOR ELEVATION A



EXTERIOR ELEVATION D



EXTERIOR ELEVATION C

THIS DRAWING IS THE CONFIDENTIAL PROPERTY AND CONTAINS TRADE SECRETS OF CELLXION, LLC. ANY USE OF THESE DRAWINGS OR THE INFORMATION CONTAINED HEREIN FOR ANY REASON OTHER THAN AS EXPRESSLY AUTHORIZED BY CELLXION, LLC. IS STRICTLY PROHIBITED. THIS DRAWING HAS BEEN DISTRIBUTED WITH THE UNDERSTANDING THAT ANYONE RECEIVING OR OTHERWISE OBTAINING POSSESSION OF IT WILL BE EXPRESSLY NOTIFIED OF ITS CONFIDENTIAL NATURE.

Cellxion
 5031 Hazel Jones Road
 Bossier City, Louisiana 71111
 voice: (318) 213-2900
 fax: (318) 213-2919
 www.cellxion.com

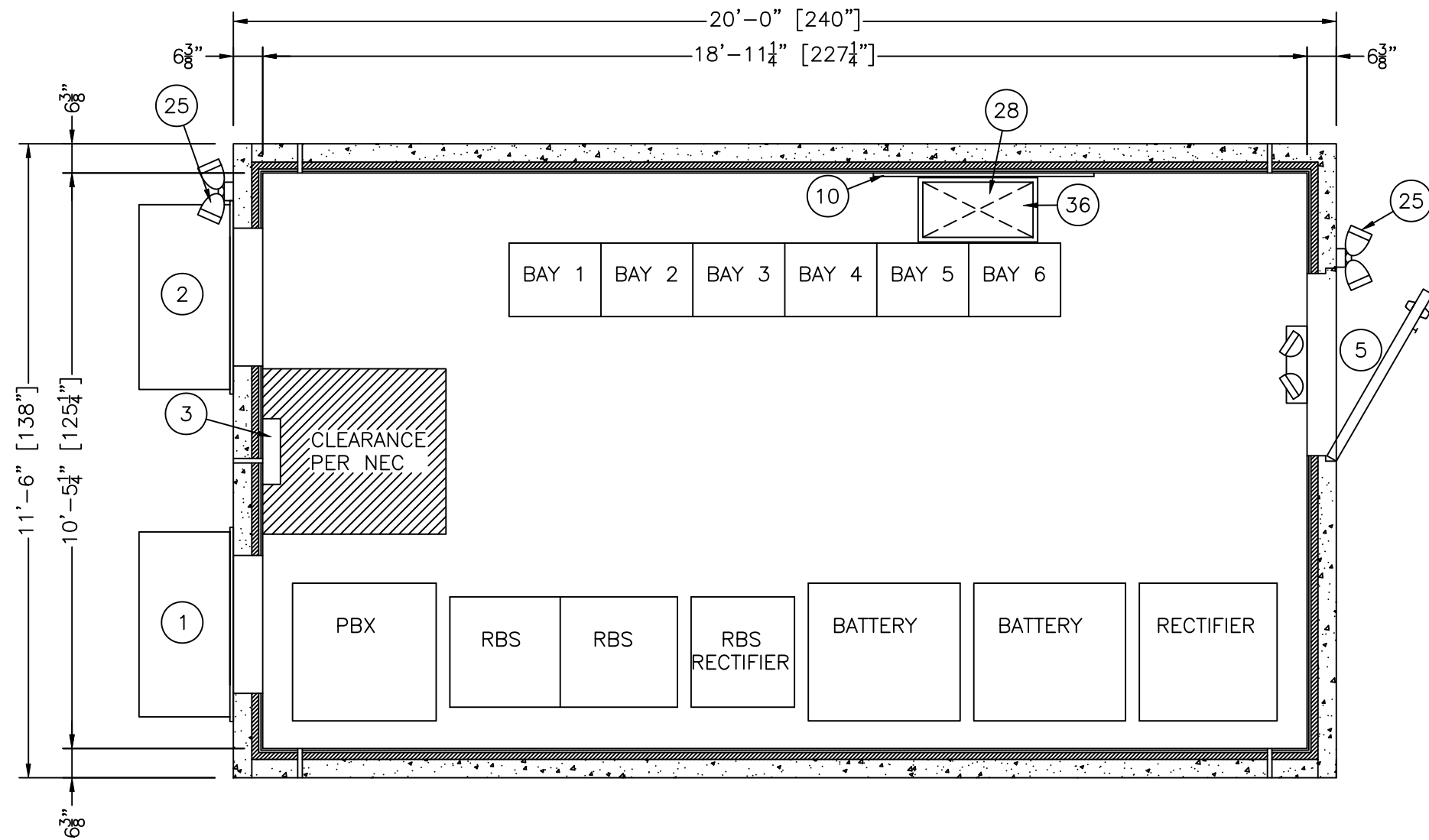
CUSTOMER:
 TRITON PCS

PROJECT:
 11'-6" X 20'-0"
 EQUIPMENT SHELTER
 EXTERIOR ELEVATIONS

FILENAME:
 TRIO1\TRIO11-0
 SCALE: 5/16"=1'-0" TOLERANCE:
 DRWN. BY: S. MARTIN DATE: 8/14/99
 CHK. BY: V. HASSELL DATE: 8/14/99
 ENG. BY: K. BARNETT DATE: 8/14/99
 APP. BY: J. HOOD DATE: 8/14/99

SHEET NO.
 1-0

DRAWING NO.:
 TRIO1



FLOOR PLAN
 230.00 SQ. FT. EXTERIOR
 198.93 SQ. FT. INTERIOR

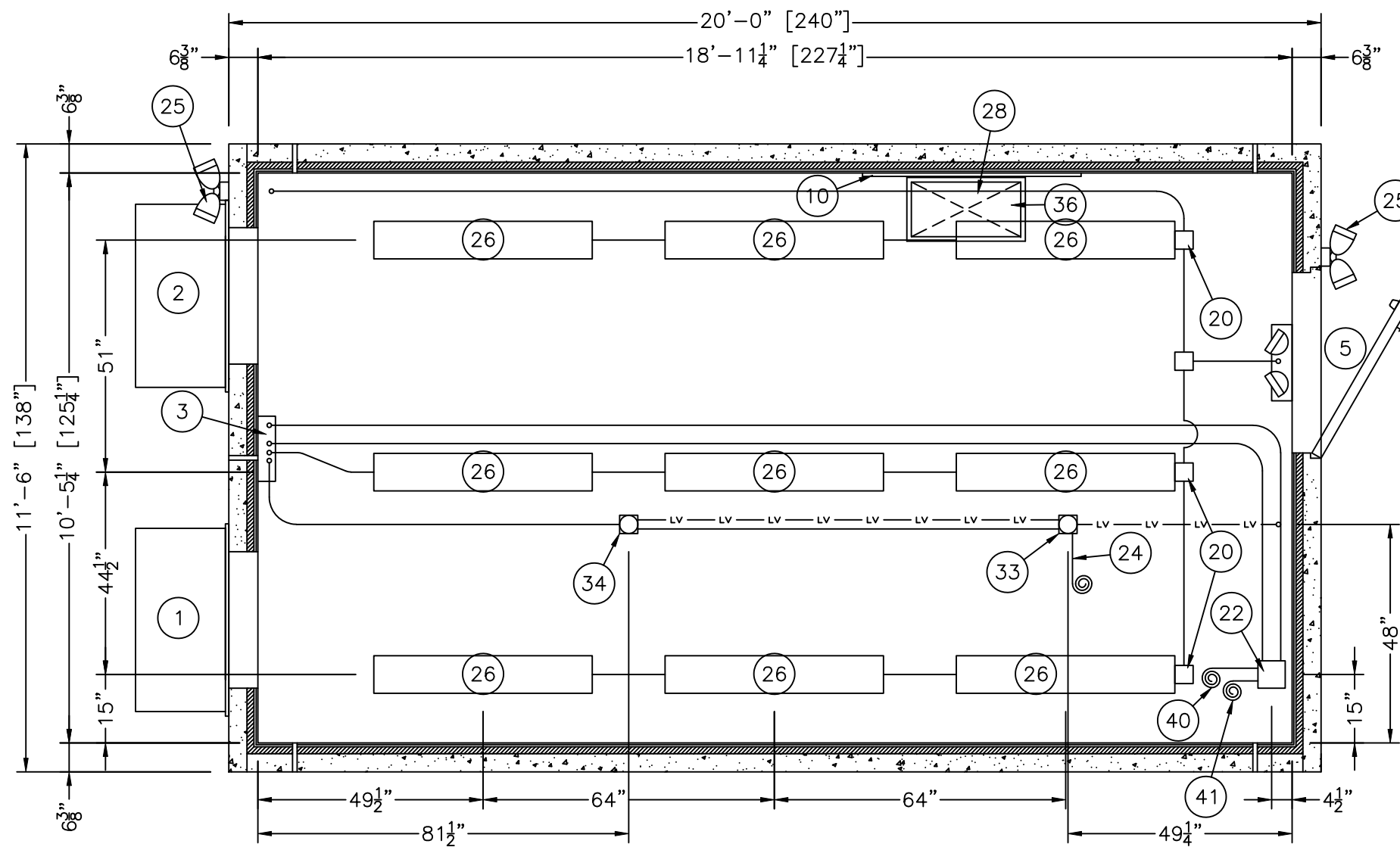
THIS DRAWING IS THE CONFIDENTIAL PROPERTY AND CONTAINS TRADE SECRETS OF CELLXION, LLC. ANY USE OF THESE DRAWINGS OR THE INFORMATION CONTAINED HEREIN FOR ANY REASON OTHER THAN AS EXPRESSLY AUTHORIZED BY CELLXION, LLC. IS STRICTLY PROHIBITED. THIS DRAWING HAS BEEN DISTRIBUTED WITH THE UNDERSTANDING THAT ANYONE RECEIVING OR OTHERWISE OBTAINING POSSESSION OF IT WILL BE EXPRESSLY NOTIFIED OF ITS CONFIDENTIAL NATURE.

Cellxion
 5031 Hazel Jones Road
 Bossier City, Louisiana 71111
 voice: (318) 213-2900
 fax: (318) 213-2919
 www.cellxion.com

CUSTOMER:
 TRITON PCS

PROJECT:
 11'-6" X 20'-0"
 EQUIPMENT SHELTER
 FLOOR PLAN

FILENAME: TRIO1\TRIO12-0	
SCALE: 3/8" = 1'-0"	TOLERANCE:
DRWN. BY: V. HASSELL	DATE: 8/9/99
CHK. BY: V. HASSELL	DATE: 8/9/99
ENG. BY: K. BARNETT	DATE: 8/9/99
APP. BY: J. HOOD	DATE: 8/9/99
SHEET NO. 2-0	
DRAWING NO.: TRIO1	



REFLECTED CEILING VIEW
ELECTRICAL

NOTES:

1. ALL CONDUIT TO BE 3/4" EMT, UNLESS OTHERWISE NOTED.
2. PLACEMENT OF ELECTRICAL EQUIPMENT TO DETERMINED BY AVAILABILITY OF PREMADE KNOCK-OUTS OR PENETRATION REQUIREMENTS.

LEGEND:

1. — LV — = LOW VOLTAGE CONDUIT TO BE 1/2" EMT UNLESS OTHERWISE NOTED.

THIS DRAWING IS THE CONFIDENTIAL PROPERTY AND CONTAINS TRADE SECRETS OF CELLXION, LLC. ANY USE OF THESE DRAWINGS OR THE INFORMATION CONTAINED HEREIN FOR ANY REASON OTHER THAN AS EXPRESSLY AUTHORIZED BY CELLXION, LLC. IS STRICTLY PROHIBITED. THIS DRAWING HAS BEEN DISTRIBUTED WITH THE UNDERSTANDING THAT ANYONE RECEIVING OR OTHERWISE OBTAINING POSSESSION OF IT WILL BE EXPRESSLY NOTIFIED OF ITS CONFIDENTIAL NATURE.

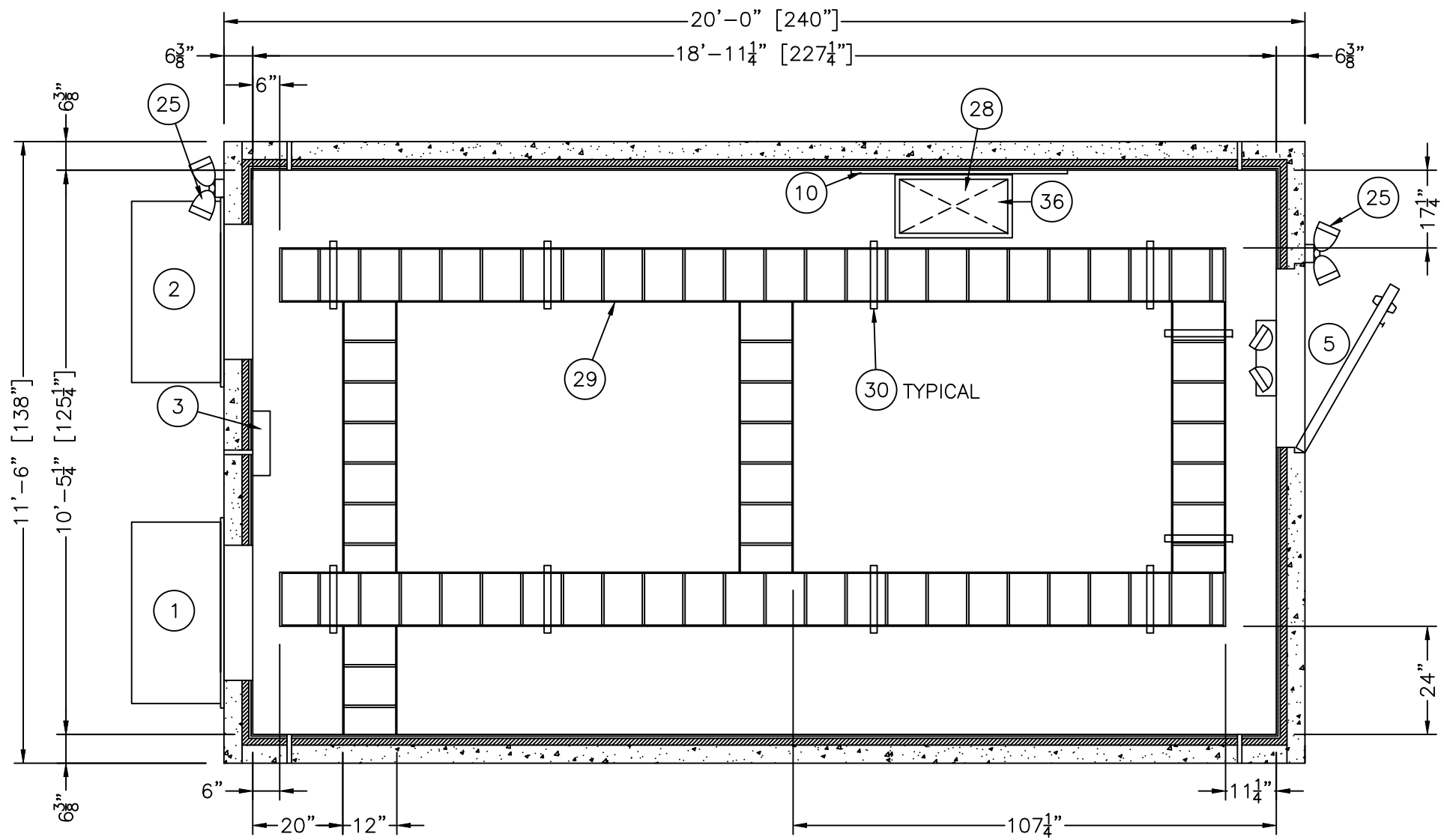
Cellxion
 5031 Hazel Jones Road
 Bossier City, Louisiana 71111
 voice: (318) 213-2900
 fax: (318) 213-2919
 www.cellxion.com

CUSTOMER:
TRITON PCS

PROJECT:
11'-6" X 20'-0"
EQUIPMENT SHELTER
REFLECTED CEILING VIEW
ELECTRICAL

FILENAME: TRIO1\TRIO13-0	
SCALE: 3/8" = 1'-0"	TOLERANCE:
DRWN. BY: S. MARTIN	DATE: 8/9/99
CHK. BY: V. HASSELL	DATE: 8/9/99
ENG. BY: K. BARNETT	DATE: 8/9/99
APP. BY: J. HOOD	DATE: 8/9/99
SHEET NO. 3-0	
DRAWING NO.: TRIO1	

REV	BY	DATE	DESCRIPTION	APP. BY	DATE
A	GE	9/10/99	ADDED CONDUIT	VGH	9/10/99



NOTES:

1. ALL CONDUIT TO BE 3/4" EMT, UNLESS OTHERWISE NOTED.
2. PLACEMENT OF ELECTRICAL EQUIPMENT TO DETERMINED BY AVAILABILITY OF PREMADE KNOCK-OUTS OR PENETRATION REQUIREMENTS.
3. CABLE TRAY TO BE GROUNDED TO MAIN GROUND BAR WITH #2 GRN COPPER WIRE AND MECHANICAL LUGS.

**REFLECTED CEILING VIEW
MECHANICAL**

LEGEND:

1. —lv— = LOW VOLTAGE CONDUIT TO BE 1/2" EMT UNLESS OTHERWISE NOTED.

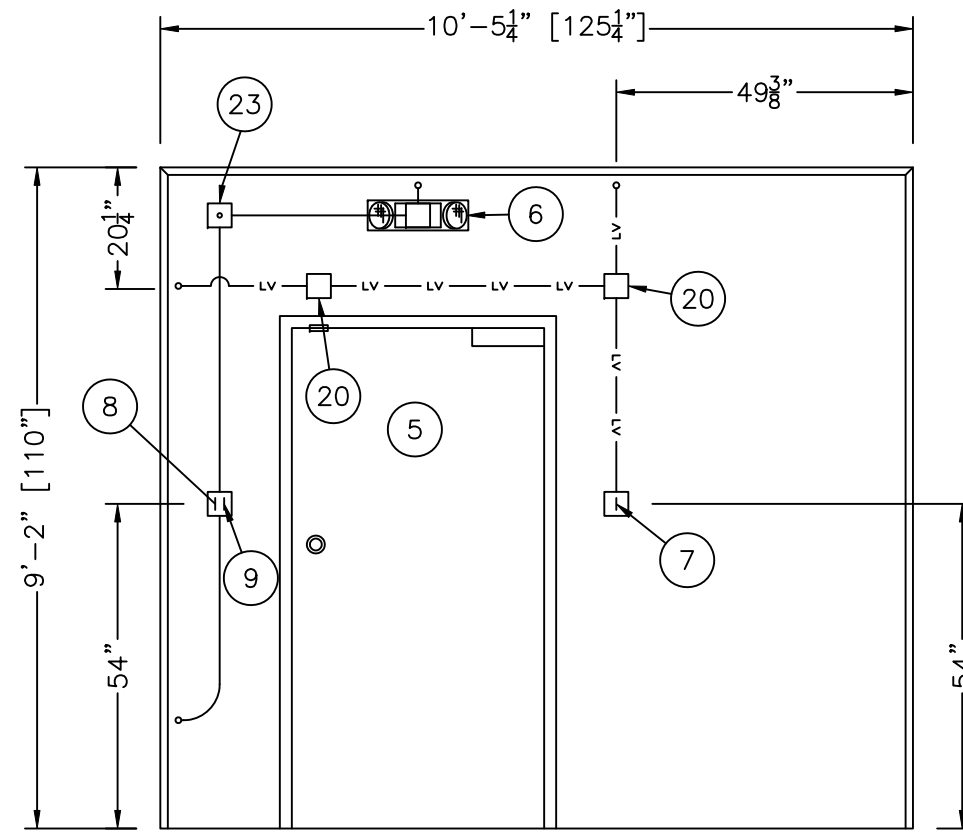
THIS DRAWING IS THE CONFIDENTIAL PROPERTY AND CONTAINS TRADE SECRETS OF CELLXION, LLC. ANY USE OF THESE DRAWINGS OR THE INFORMATION CONTAINED HEREIN FOR ANY REASON OTHER THAN AS EXPRESSLY AUTHORIZED BY CELLXION, LLC. IS STRICTLY PROHIBITED. THIS DRAWING HAS BEEN DISTRIBUTED WITH THE UNDERSTANDING THAT ANYONE RECEIVING OR OTHERWISE OBTAINING POSSESSION OF IT WILL BE EXPRESSLY NOTIFIED OF ITS CONFIDENTIAL NATURE.

Cellxion
 5031 Hazel Jones Road
 Bossier City, Louisiana 71111
 voice: (318) 213-2900
 fax: (318) 213-2919
 www.cellxion.com

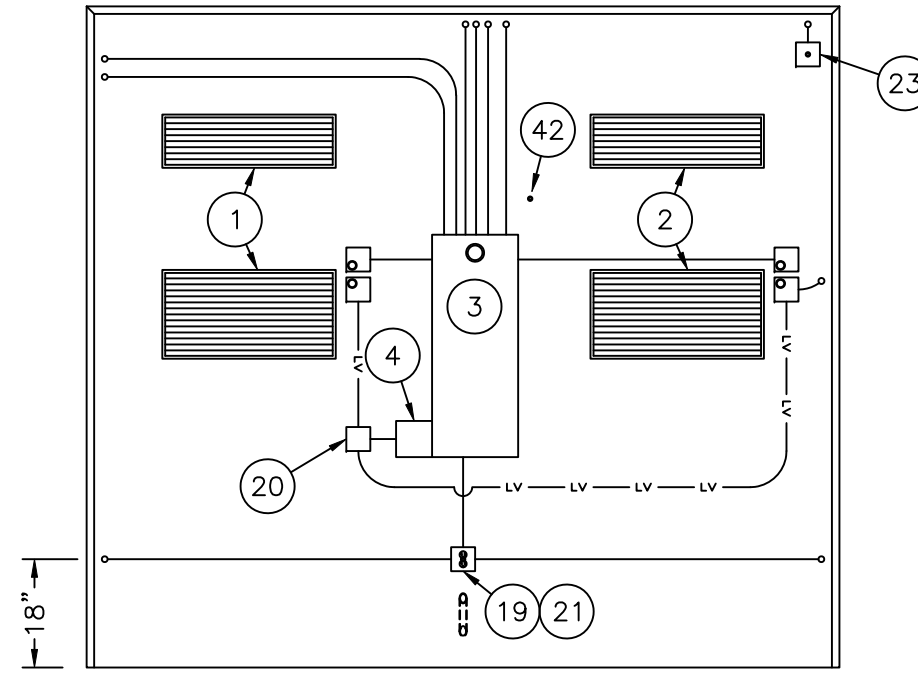
CUSTOMER:
 TRITON PCS

PROJECT:
 11'-6" X 20'-0"
 EQUIPMENT SHELTER
 REFLECTED CEILING VIEW
 MECHANICAL

FILENAME: TRIO1\TRIO13-1	
SCALE: 3/8" = 1'-0"	TOLERANCE:
DRWN. BY: S. MARTIN	DATE: 8/9/99
CHK. BY: V. HASSELL	DATE: 8/9/99
ENG. BY: K. BARNETT	DATE: 8/9/99
APP. BY: J. HOOD	DATE: 8/9/99
SHEET NO. 3-1	
DRAWING NO.: TRIO1	



INTERIOR ELEVATION A



INTERIOR ELEVATION C

NOTES:

1. ALL CONDUIT TO BE 3/4" EMT, UNLESS OTHERWISE NOTED.
2. PLACEMENT OF ELECTRICAL EQUIPMENT TO DETERMINED BY AVAILABILITY OF PREMADE KNOCK-OUTS OR PENETRATION REQUIREMENTS.

LEGEND:

1. —lv— = LOW VOLTAGE CONDUIT TO BE 1/2" EMT UNLESS OTHERWISE NOTED.

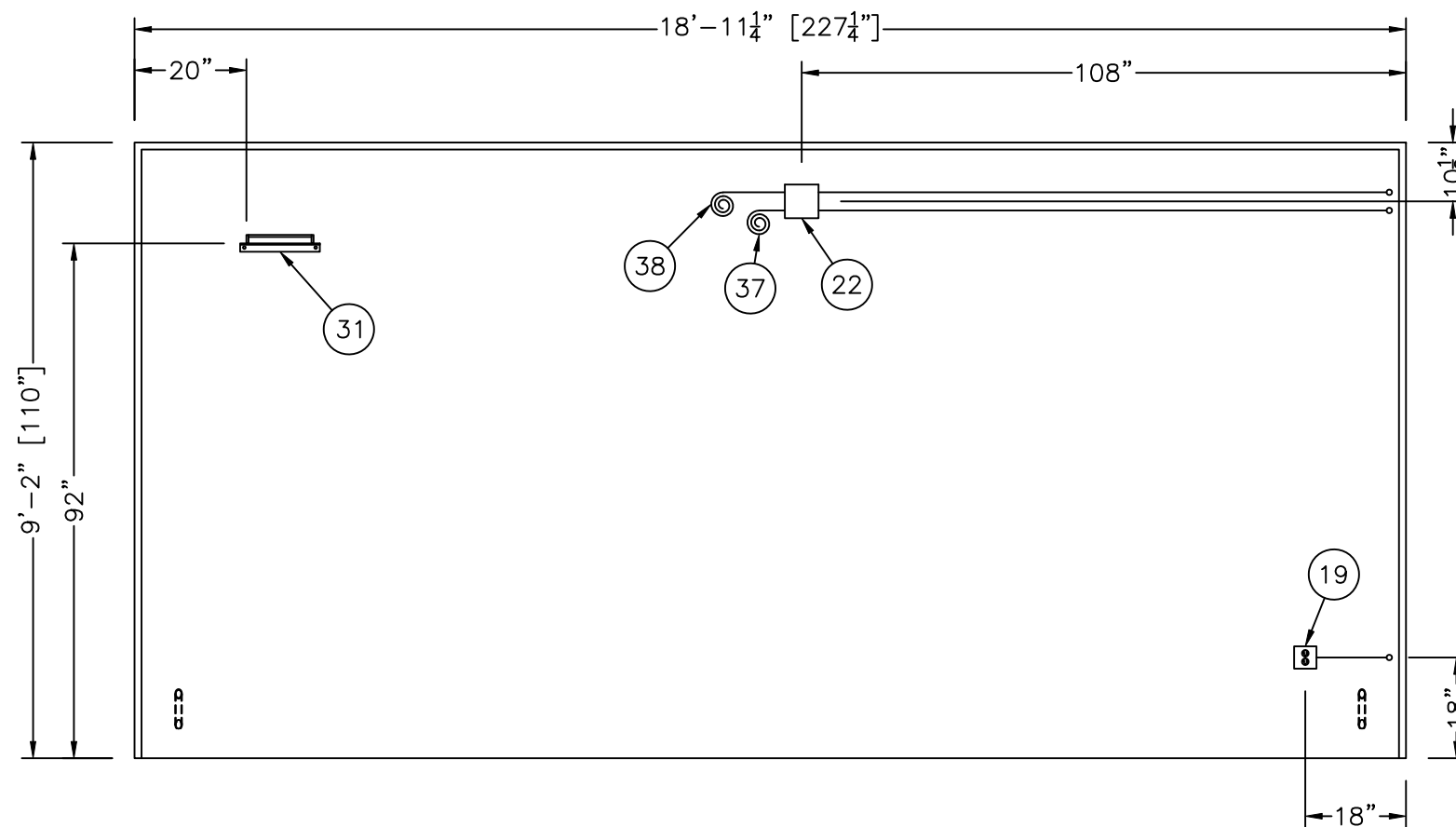
THIS DRAWING IS THE CONFIDENTIAL PROPERTY AND CONTAINS TRADE SECRETS OF CELLXION, LLC. ANY USE OF THESE DRAWINGS OR THE INFORMATION CONTAINED HEREIN FOR ANY REASON OTHER THAN AS EXPRESSLY AUTHORIZED BY CELLXION, LLC. IS STRICTLY PROHIBITED. THIS DRAWING HAS BEEN DISTRIBUTED WITH THE UNDERSTANDING THAT ANYONE RECEIVING OR OTHERWISE OBTAINING POSSESSION OF IT WILL BE EXPRESSLY NOTIFIED OF ITS CONFIDENTIAL NATURE.

Cellxion
 5031 Hazel Jones Road
 Bossier City, Louisiana 71111
 voice: (318) 213-2900
 fax: (318) 213-2919
 www.cellxion.com

CUSTOMER:
 TRITON PCS

PROJECT:
 11'-6" X 20'-0"
 EQUIPMENT SHELTER
 INTERIOR ELEVATIONS
 PANELS "A" & "C"

FILENAME: TRIO1\TRIO14-0	
SCALE: 3/8" = 1'-0"	TOLERANCE:
DRWN. BY: S. MARTIN	DATE: 8/10/99
CHK. BY: V. HASSELL	DATE: 8/10/99
ENG. BY: K. BARNETT	DATE: 8/10/99
APP. BY: J. HOOD	DATE: 8/10/99
SHEET NO. 4-0	
DRAWING NO.: TRIO1	



INTERIOR ELEVATION B

NOTES:

1. ALL CONDUIT TO BE 3/4" EMT, UNLESS OTHERWISE NOTED.
2. PLACEMENT OF ELECTRICAL EQUIPMENT TO DETERMINED BY AVAILABILITY OF PREMADE KNOCK-OUTS OR PENETRATION REQUIREMENTS.

LEGEND:

1. — lv — = LOW VOLTAGE CONDUIT TO BE 1/2" EMT UNLESS OTHERWISE NOTED.

THIS DRAWING IS THE CONFIDENTIAL PROPERTY AND CONTAINS TRADE SECRETS OF CELLXION, LLC. ANY USE OF THESE DRAWINGS OR THE INFORMATION CONTAINED HEREIN FOR ANY REASON OTHER THAN AS EXPRESSLY AUTHORIZED BY CELLXION, LLC. IS STRICTLY PROHIBITED. THIS DRAWING HAS BEEN DISTRIBUTED WITH THE UNDERSTANDING THAT ANYONE RECEIVING OR OTHERWISE OBTAINING POSSESSION OF IT WILL BE EXPRESSLY NOTIFIED OF ITS CONFIDENTIAL NATURE.

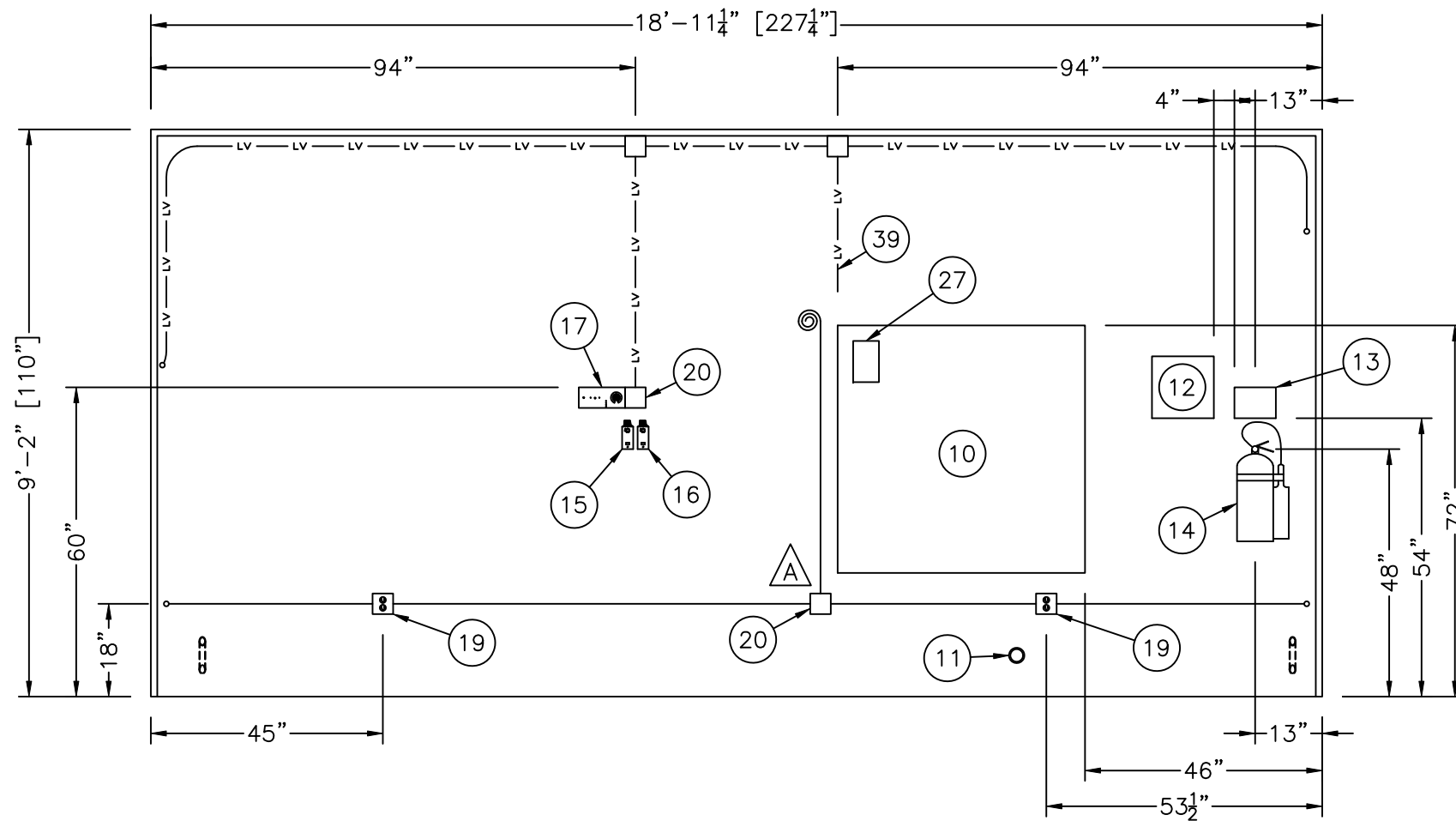
Cellxion
 5031 Hazel Jones Road
 Bossier City, Louisiana 71111
 voice: (318) 213-2900
 fax: (318) 213-2919
 www.cellxion.com

CUSTOMER:

TRITON PCS

PROJECT:
 11'-6" X 20'-0"
 EQUIPMENT SHELTER
 INTERIOR ELEVATION
 PANEL "B"

FILENAME: TRIO1\TRIO14-1	
SCALE: 3/8" = 1'-0"	TOLERANCE:
DRWN. BY: S. MARTIN	DATE: 8/10/99
CHK. BY: V. HASSELL	DATE: 8/10/99
ENG. BY: K. BARNETT	DATE: 8/10/99
APP. BY: J. HOOD	DATE: 8/10/99
SHEET NO. 4-1	
DRAWING NO.: TRIO1	



INTERIOR ELEVATION D

NOTES:

1. ALL CONDUIT TO BE 3/4" EMT, UNLESS OTHERWISE NOTED.
2. PLACEMENT OF ELECTRICAL EQUIPMENT TO DETERMINED BY AVAILABILITY OF PREMADE KNOCK-OUTS OR PENETRATION REQUIREMENTS.

LEGEND:

1. — LV — = LOW VOLTAGE CONDUIT TO BE 1/2" EMT UNLESS OTHERWISE NOTED.

THIS DRAWING IS THE CONFIDENTIAL PROPERTY AND CONTAINS TRADE SECRETS OF CELLXION, LLC. ANY USE OF THESE DRAWINGS OR THE INFORMATION CONTAINED HEREIN FOR ANY REASON OTHER THAN AS EXPRESSLY AUTHORIZED BY CELLXION, LLC. IS STRICTLY PROHIBITED. THIS DRAWING HAS BEEN DISTRIBUTED WITH THE UNDERSTANDING THAT ANYONE RECEIVING OR OTHERWISE OBTAINING POSSESSION OF IT WILL BE EXPRESSLY NOTIFIED OF ITS CONFIDENTIAL NATURE.

Cellxion
 5031 Hazel Jones Road
 Bossier City, Louisiana 71111
 voice: (318) 213-2900
 fax: (318) 213-2919
 www.cellxion.com

CUSTOMER:

TRITON PCS

PROJECT:
 11'-6" X 20'-0"
 EQUIPMENT SHELTER
 INTERIOR ELEVATION
 PANEL "D"

FILENAME: TRIO1\TRIO14-2	
SCALE: 3/8" = 1'-0"	TOLERANCE:
DRWN. BY: S. MARTIN	DATE: 8/10/99
CHK. BY: V. HASSELL	DATE: 8/10/99
ENG. BY: K. BARNETT	DATE: 8/10/99
APP. BY: J. HOOD	DATE: 8/10/99

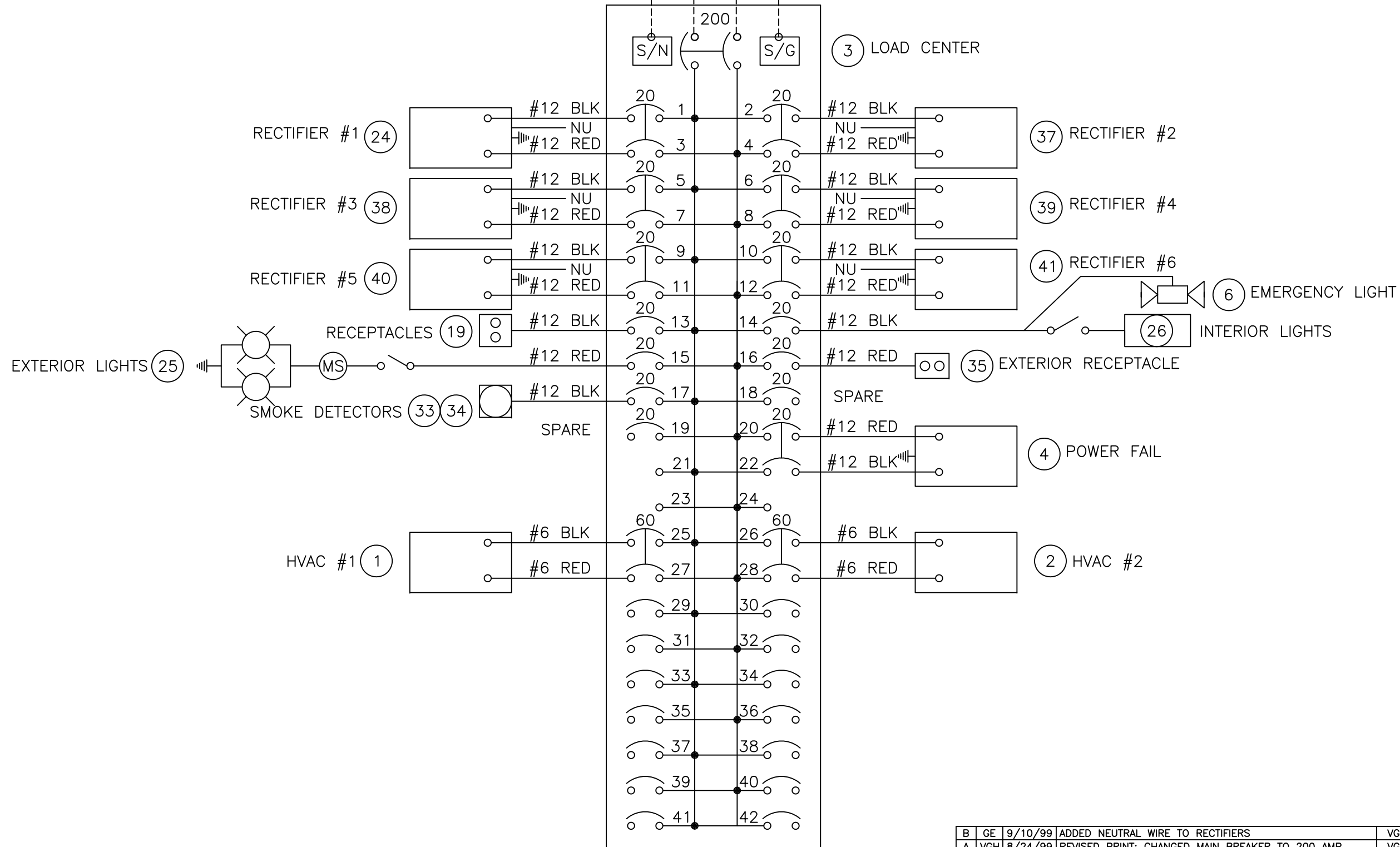
SHEET NO.
4-2

DRAWING NO.:
TRIO1

REV	BY	DATE	DESCRIPTION	APP. BY	DATE
A	GE	9/10/99	ADDED JB	VGH	9/10/99

120/240 VAC SERVICE
(FIELD INSTALLED BY SITE CONTRACTOR)

3/0 BLK THHN
3/0 WHT THHN
3/0 RED THHN
#4 GRN THHN



REV	BY	DATE	DESCRIPTION	APP. BY	DATE
B	GE	9/10/99	ADDED NEUTRAL WIRE TO RECTIFIERS	VGH	9/10/99
A	VGH	8/24/99	REVISED PRINT; CHANGED MAIN BREAKER TO 200 AMP	VGH	8/24/99

THIS DRAWING IS THE CONFIDENTIAL PROPERTY AND CONTAINS TRADE SECRETS OF CELLXION, LLC. ANY USE OF THESE DRAWINGS OR THE INFORMATION CONTAINED HEREIN FOR ANY REASON OTHER THAN AS EXPRESSLY AUTHORIZED BY CELLXION, LLC. IS STRICTLY PROHIBITED. THIS DRAWING HAS BEEN DISTRIBUTED WITH THE UNDERSTANDING THAT ANYONE RECEIVING OR OTHERWISE OBTAINING POSSESSION OF IT WILL BE EXPRESSLY NOTIFIED OF ITS CONFIDENTIAL NATURE.

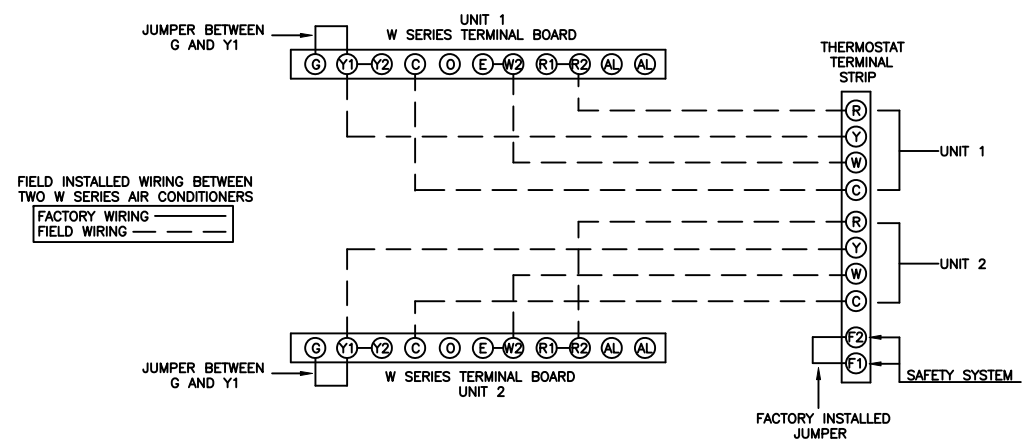
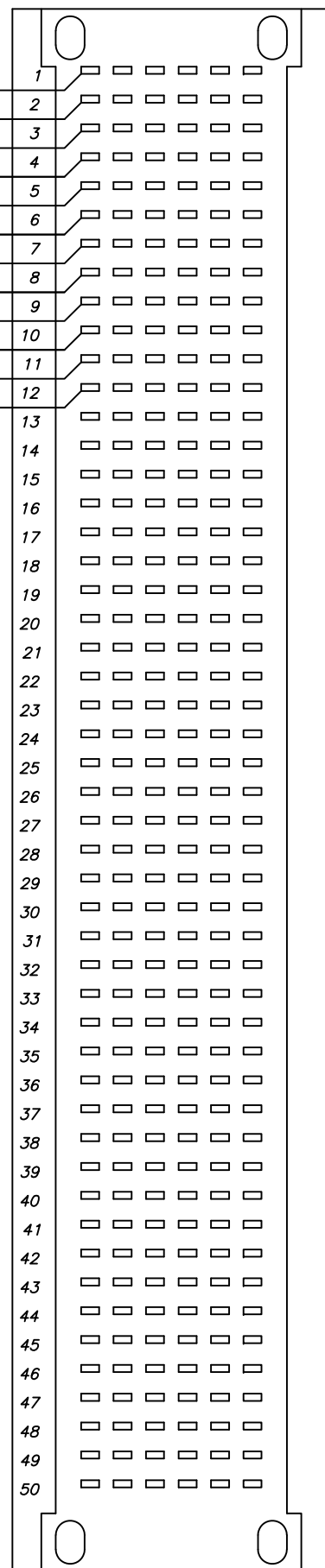
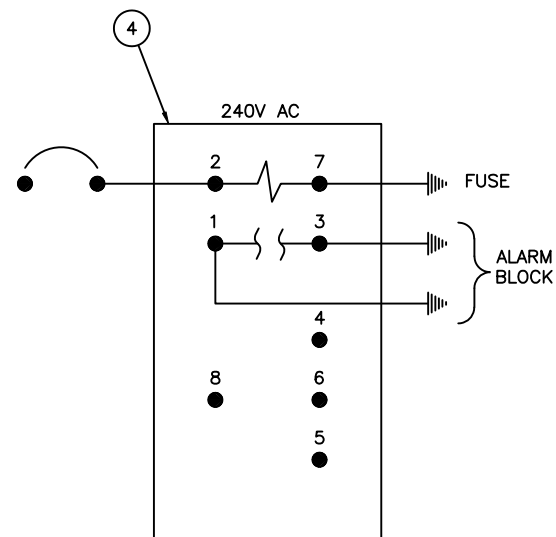
Cellxion
5031 Hazel Jones Road
Bossier City, Louisiana 71111
voice: (318) 213-2900
fax: (318) 213-2919
www.cellxion.com

CUSTOMER:
TRITON PCS

PROJECT:
11'-6" X 20'-0" EQUIPMENT SHELTER ELECTRICAL SCHEMATIC

FILENAME: TRIO1\TRIO15-0	
SCALE: N.T.S.	TOLERANCE:
DRWN. BY: S. MARTIN	DATE: 8/12/99
CHK. BY: V. HASSELL	DATE: 8/17/99
ENG. BY: K. BARNETT	DATE: 8/17/99
APP. BY: J. HOOD	DATE: 8/17/99
SHEET NO. 5-0	
DRAWING NO.: TRIO1	

- LOW TEMP. ALARM -N.O. (CLOSE ON ALARM) ≠ #22 SOLID BLACK 1
- HIGH TEMP. ALARM -N.O. (CLOSE ON ALARM) ≠ #22 SOLID RED 2
- DOOR INTRUSION -N.O. (CLOSE ON ALARM) ≠ #22 SOLID BLACK 3
- SMOKE/HEAT DETECTOR -N.O. (CLOSE ON ALARM) ≠ #22 TFN SOLID BLACK 4
- POWER FAIL ALARM -N.O. (CLOSE ON FAILURE OR LOSS OF POWER) ≠ #22 SOLID BLACK 5
- SMOKE DETECTOR -N.O. (CLOSE ON ALARM) ≠ #22 TFN SOLID RED 6



A	GE	10/4/99	CHG'D. CONNECTIONS OF WIRING DIAGRAM OF UNIT 2	VGH	10/4/99
REV	BY	DATE	DESCRIPTION	APP. BY	DATE

THIS DRAWING IS THE CONFIDENTIAL PROPERTY AND CONTAINS TRADE SECRETS OF CELLXION, LLC. ANY USE OF THESE DRAWINGS OR THE INFORMATION CONTAINED HEREIN FOR ANY REASON OTHER THAN AS EXPRESSLY AUTHORIZED BY CELLXION, LLC. IS STRICTLY PROHIBITED. THIS DRAWING HAS BEEN DISTRIBUTED WITH THE UNDERSTANDING THAT ANYONE RECEIVING OR OTHERWISE OBTAINING POSSESSION OF IT WILL BE EXPRESSLY NOTIFIED OF ITS CONFIDENTIAL NATURE.

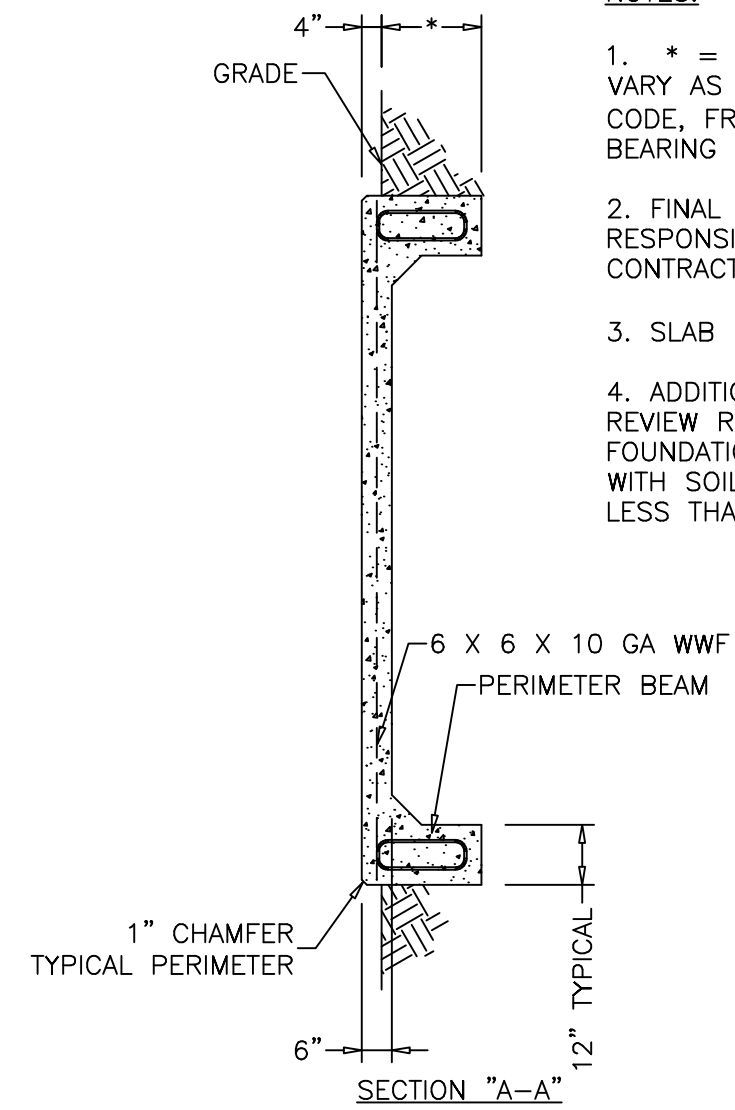
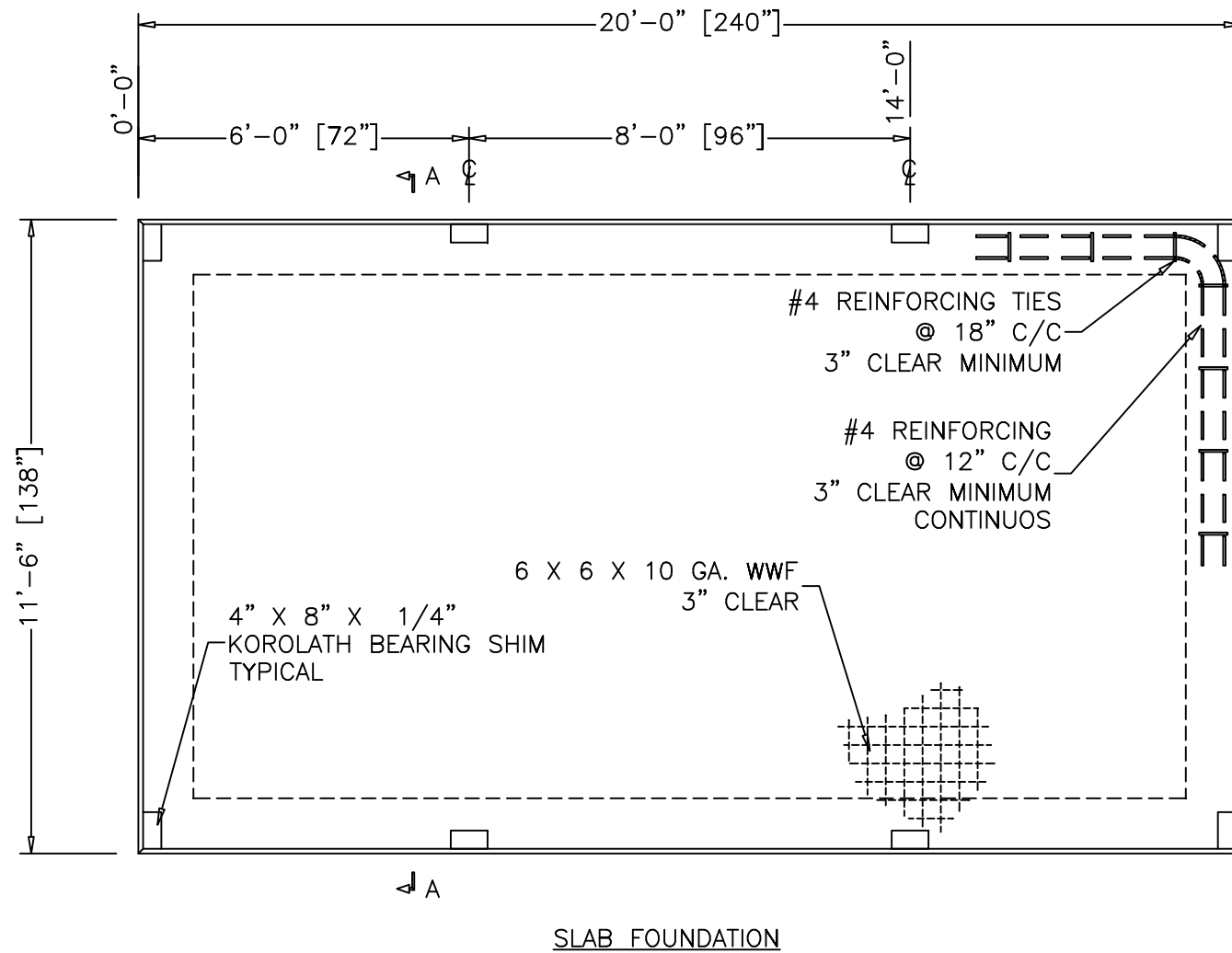
Cellxion
 5031 Hazel Jones Road
 Bossier City, Louisiana 71111
 voice: (318) 213-2900
 fax: (318) 213-2919
 www.cellxion.com

CUSTOMER:
TRITON PCS

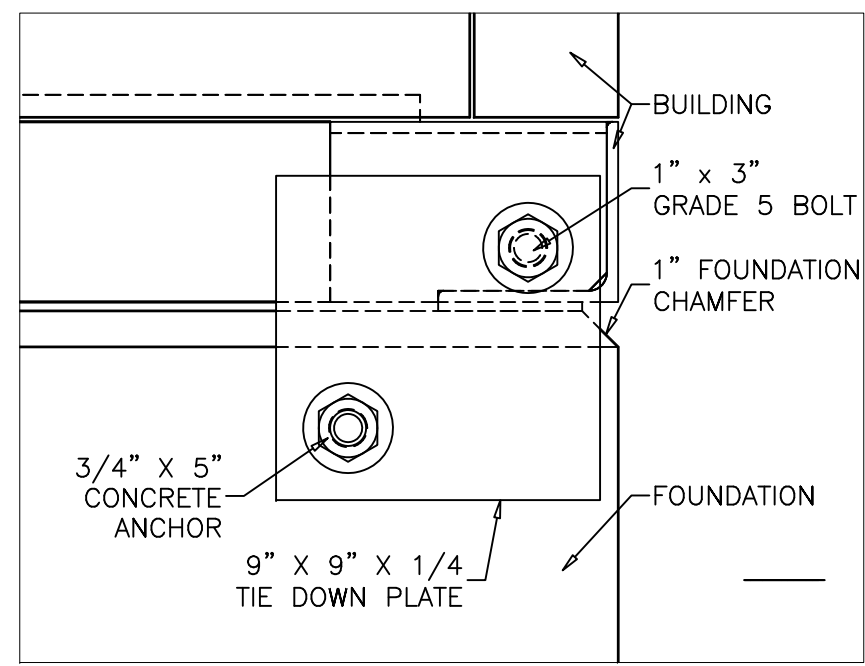
PROJECT:
11'-6" X 20'-0" EQUIPMENT SHELTER LOW VOLTAGE WIRING

FILENAME: TRIO1\TRIO15-1	
SCALE: N.T.S.	TOLERANCE:
DRWN. BY: S. MARTIN	DATE: 8/12/99
CHK. BY: V. HASSELL	DATE: 8/17/99
ENG. BY: K. BARNETT	DATE: 8/17/99
APP. BY: J. HOOD	DATE: 8/17/99

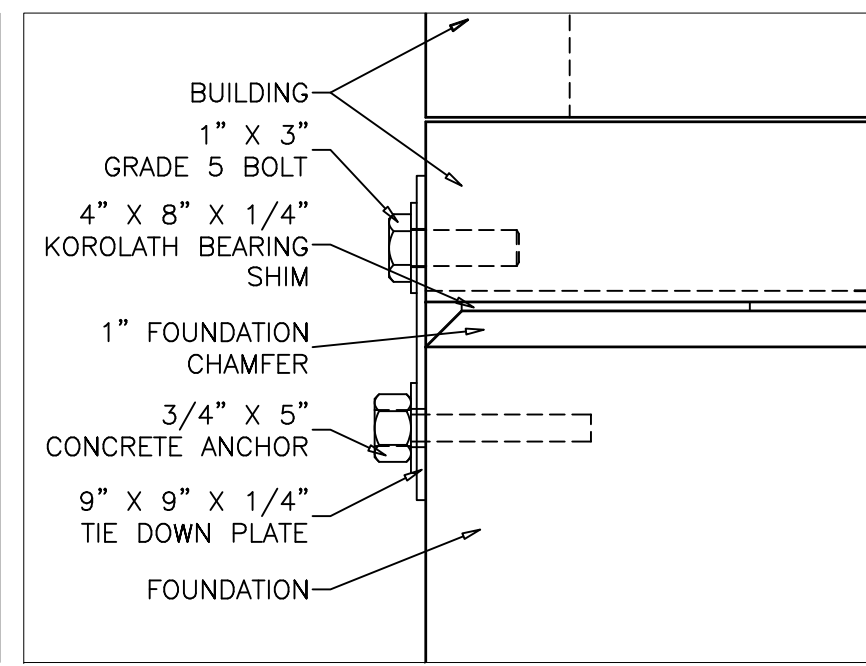
SHEET NO.
 5-1
 DRAWING NO.:
TRIO1



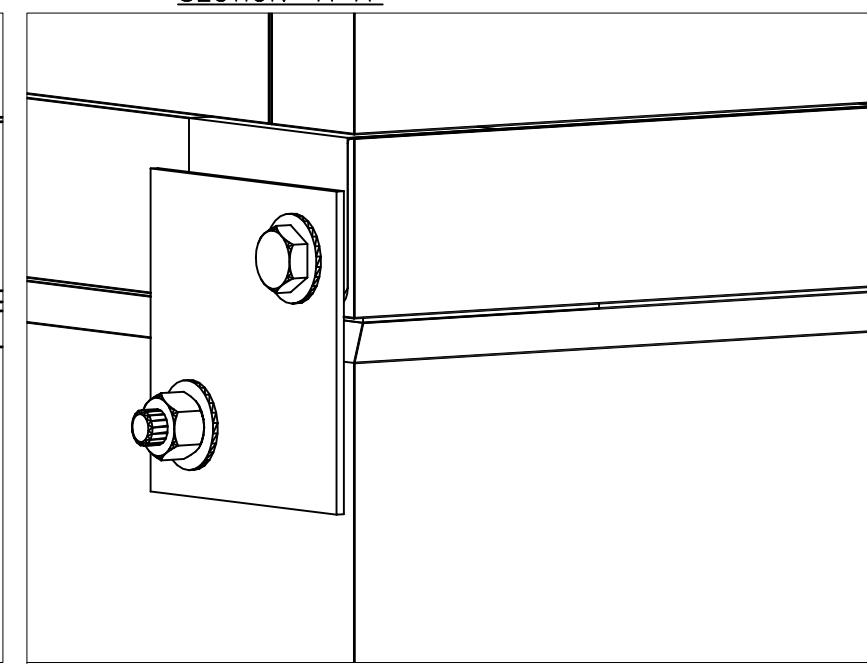
- NOTES:**
- * = 24" MINIMUM, BUT MAY VARY AS REQUIRED PER: LOCAL CODE, FROST LINE, AND/OR SOIL BEARING CAPACITY.
 - FINAL DESIGN IS THE RESPONSIBILITY OF THE SITE CONTRACTOR.
 - SLAB MUST LEVEL $\pm 1/4"$
 - ADDITIONAL ENGINEERING REVIEW REQUIRED ON SHELTER IF FOUNDATION IS PLACED ON SOIL WITH SOILS BEARING CAPACITY LESS THAN 1200 PSF.



TYPICAL SIDE ELEVATION CONNECTION DETAILS
SCALE: 1/4"=1"



TYPICAL END ELEVATION CONNECTION DETAILS
SCALE: 1/4"=1"



TYPICAL ISOMETRIC ELEVATION CONNECTION DETAILS
SCALE: 1/4"=1"

THIS DRAWING IS THE CONFIDENTIAL PROPERTY AND CONTAINS TRADE SECRETS OF CELLXION, LLC. ANY USE OF THESE DRAWINGS OR THE INFORMATION CONTAINED HEREIN FOR ANY REASON OTHER THAN AS EXPRESSLY AUTHORIZED BY CELLXION, LLC. IS STRICTLY PROHIBITED. THIS DRAWING HAS BEEN DISTRIBUTED WITH THE UNDERSTANDING THAT ANYONE RECEIVING OR OTHERWISE OBTAINING POSSESSION OF IT WILL BE EXPRESSLY NOTIFIED OF ITS CONFIDENTIAL NATURE.

Cellxion

5031 Hazel Jones Road
Bossier City, Louisiana 71111
voice: (318) 213-2900
fax: (318) 213-2919
www.cellxion.com

CUSTOMER:
TRITON PCS

PROJECT:
11'-6" X 20'-0" EQUIPMENT SHELTER FOUNDATION PLAN

FILENAME: TR101\TR1016-0	
SCALE: 5/16"=1'-0"	TOLERANCE:
DRWN. BY: V. HASSELL	DATE: 8/16/99
CHK. BY: V. HASSELL	DATE: 8/16/99
ENG. BY: K. BARNETT	DATE: 8/16/99
APP. BY: B. ROGERS	DATE: 8/16/99
SHEET NO. 6-0	
DRAWING NO.: TR101	