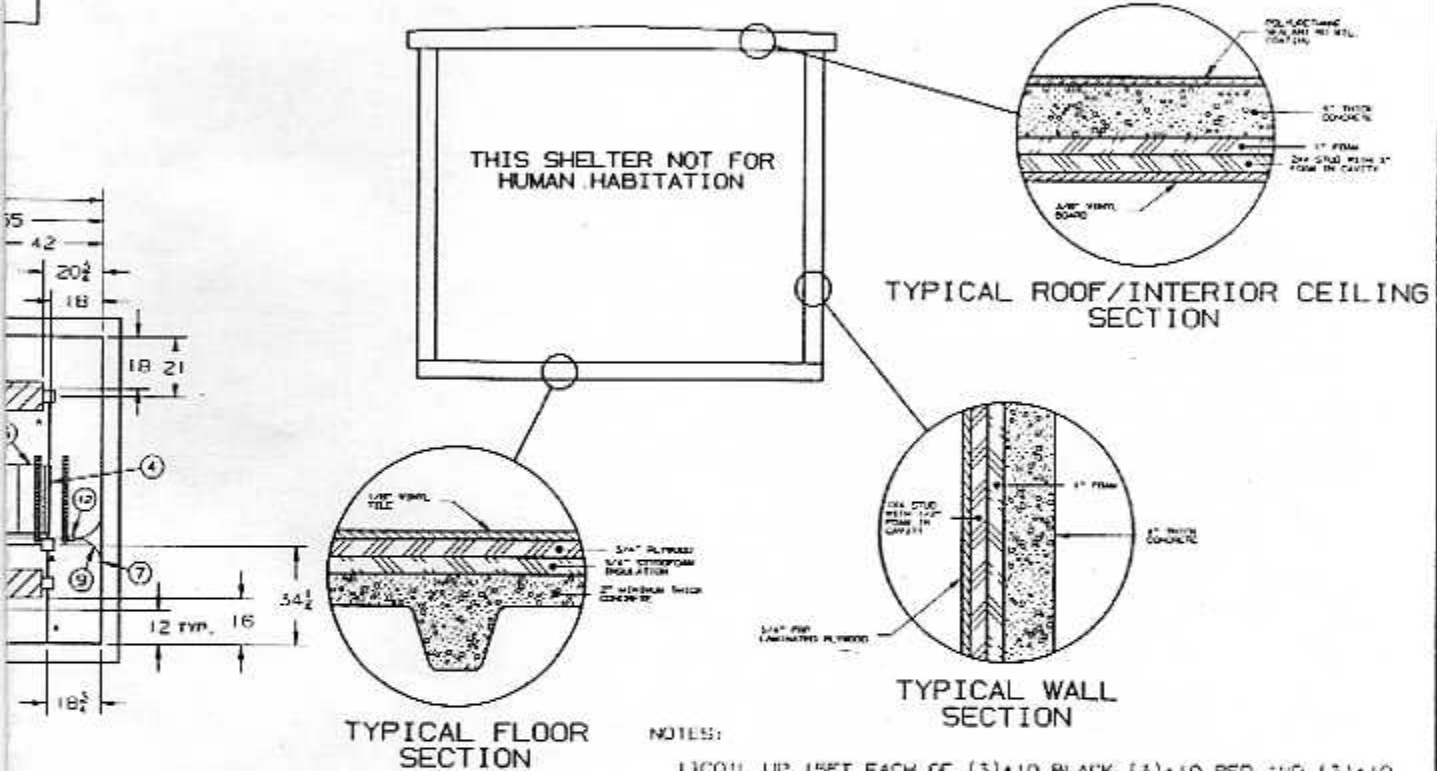


# EQUIPMENT LIST

CONDUIT KEY	
A = 1/2"	ALV = 1/2"
B = 3/4"	BLV = 3/4"
C = 1"	CLV = 1"
D = 1-1/4"	
E = 2"	
F = 2-1/2"	
G = 3"	
H = 4"	

NOTE: 1/2" OPTIMIZED LOW VOLTAGE CONDUIT

ITEM#	QUAN.	MANUFAC. PART#	DESCRIPTION
1	6	LB 240	40W (2) BULB 48" FLUOR. LIGHT W/DIFFUSER LITHONIA
2	2	G-6	120V SMOKE DETECTOR WITH REMOTE CONTACT FIREX
3	26 FT		24" CABLE RACK CENTRAL STEEL
4	4		24" CABLE RACK END BAR
5	10		1-5/8" X 30" UNISTRUT
6	1		10" X 6" X 4" ENCLOSURE FOR RECTIFIER DROPS
7	14		COMPRESSION FITTING FOR #2 X #2 WIRE T&B
8	14		2 HOLE CRIMP FITTING FOR #2 WIRE BLACKBURN
9	54 FT		#2 STRANDED COPPER WIRE WITH GREEN INSULATION
10	9	M-5-B	WIRE RETAINER HARNESS CADDY
11	9		WIRE RETAINER CLIP Z.P. STEEL
12	4	TC5435A	TYRAP MOUNTING CLAMP W/TYRAP #TY23M
13	2	382/B	PIPE GROUND CLAMP 1/2"-1" PIPE T&B
14	3		COMPRESSION FITTING FOR #2x#6 WIRE T&B
15	1		2 HOLE CRIMP FITTING FOR #6 WIRE
16	1	LABKTATT	LIGHTING ARRESTER BRACKET HARGER



THIS SHELTER NOT FOR HUMAN HABITATION

TYPICAL ROOF/INTERIOR CEILING SECTION

TYPICAL FLOOR SECTION

TYPICAL WALL SECTION

NOTES:

- COIL UP 15FT EACH OF (3) #10 BLACK, (3) #10 RED AND (3) #10 GREEN FOR CUSTOMER CONNECTION OF RECTIFIER CIRCUIT. TAG EACH CIRCUIT PER THE PANEL SCHEDULE DESIGNATION.
- USE 15A 1 POLE LOCK TYPE CIRCUIT BREAKER AND SMOKE DETECTOR CIRCUITS MUST COMPLY WITH NFPA #72A FOR DEDICATED BREAKER LOCK CIRCUITS.
- USE COMPRESSION TYPE FITTINGS ON ALL EMT CONDUIT TERMINATION POINTS.
- MOUNT LIGHTING ARRESTER BRACKET TO THE UNISTRUT SUPPORT LOCATED ADJACENT TO THE WAVEGUIDE ENTRY. GROUND BRACKET PER DETAIL.

PANEL SCHEDULE

30A CIRCUIT BREAKER VOLTAGE: 120/240V PHASE: 1 WIRE: 3

NO	BRKR	WIRE	NO	NO	WIRE	BRKR	LOCATION
1	30A	#10	1	2	#10	30A	HVAC UNIT #2
2			3	4			
3	15A	#12	5	6	#12	15A	RECEPT. GROUP #1
4			6	8	#12	15A	RECEPT. GROUP #2
5	15A	#12	9	10	#12	15A	SMOKE DETECTOR
6			11	12	#10	30A	RECTIFIER #2
7	15A	#12	13	14			
8			15	16	#10	30A	RECTIFIER #3
9	30A	#10	17	18			
10			19	20	40A		SPARE
11	40A		21	22			
12			23	24	#12	15A	HVAC CONTROLLER
13	20A		25	26	20A		SPARE
14	20A		27	28	30A		SPARE
15	30A		29	30			

NOTE 2

TYPE 'A' SHELTER

R2	GENERAL REVISIONS	U-12-95	KFJ
R1	GENERAL REVISIONS	6-12-95	WKM

REV. NO. REVISION DESCRIPTION DATE BY

**ROHN** BUILDING DESIGN  
 1991 UNIT-ROHN, INC.  
 ALL RIGHTS RESERVED

TITLE: CONCRETE - EST10209  
 AT&T WIRELESS-DETROIT  
 10'X20' CEILING EST1627

SCALE: 3/8" = 1'-0"

Drawn by: DGB DATE: 04-26-95  
 CHECKED BY: JRS DATE: 04-26-95

APPROVED BY: DATE: FILE NUMBER: E502461  
 QUANTITY: 0960333C R2



"NOT FOR HUMAN HABITATION"

EQUIPMENT LIST

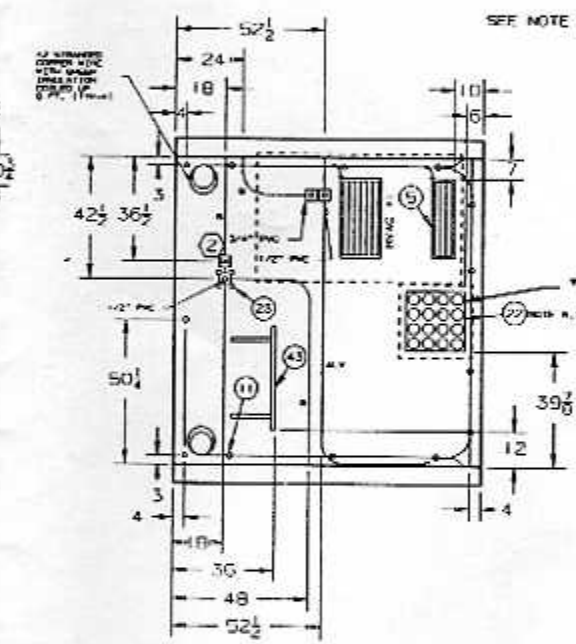
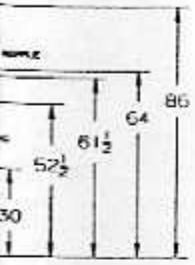
ITEM QUAN.	MAN. FAC. PART #	DESCRIPTION
1	0030M200	LOAD CENTER, 200A 120/240VAC 1PH 30 POSITION SO, D
2	DTU224NB	200A MANUAL TRANSFER SWITCH SO, D
3	WM17	CEILING RACK WALL MOUNTING BRACKET CENTRAL STEEL
4	AFC2003MRS	200A (3)PH OPERATOR PLUG ASSEMBLY
5	WA36 JACSEPTCKX	36,000 BTU SOA 240V HVAC W/5KW HEAT, ECONOMIZER & RECIP. COMPRESSOR BARD
6	MC-91E	BAIRD HVAC CONTROLLER WITH HIGH/LOW TEMP ALARM
7		4" (16) PORT WAVEGUIDE ENTRY
8		4" X 20" X 1/4" COPPER GROUND PLATE (1) INT. & (1) EXT.
9	CTL2-2516	2 HOLE CRIMP FITTING FOR #2 WIRE
10	80 FT	#2 STRANDED COPPER GROUND CABLE W/GREEN INSULATION
11	41	10
12	6	5352
13		20A 120V DUPLEX RECEPTACLE HUBBELL
14		POWER FAIL ALARM RELAY MTD. IN 6"X8" BOX
14	2	S69M2
15		50 POINT SIMONS TERMINAL STRIP
15		5124T-BL
16		YALE HYDRAULIC DOOR CLOSER W/TURNS TURN OPEN
17		MAGNETIC DOOR CONTACT
17		DOOR DRIP CAP
18	2	C5B120
18		20A 120V LIGHT SWITCH HUBBELL
19		3917FW15-J-625
19		BEST MORTISE LOCKSET
20		0000
20		3"X7" INSULATED STEEL DOOR
21		
21		#2/0 BRAIDED TINNED COPPER DOOR GROUND STRAP
22	3	
22		20-3/4" X 20-3/4" WAVEGUIDE ENTRY BLOCK/OUT
23		UD10010
23		15A 120V EXTERIOR GFI RECEPTACLE MIDWEST
24		
24		100W INCAND. EXT. LIGHT W/ SWITCHED PHOTOCELL KENALL
25		
25		64"H X 48"W X 3/4" TFLCO MOUNTING BOARD
26	20	
26		COMPRESSION FITTING FOR #2 X #2 WIRE T&B
27		
27		(2) HEAD EMERGENCY LIGHT WITH BATTERY BACKUP CARPENTER
28		
28		12" X 16" X 6" HOFFMAN BOX
29		
29		STAINLESS STEEL PICKGUARD
30		
30		4 HOUR TIMER FOR TECH ON SITE INDICATION
31		
31		20LB. ABC DRY CHEMICAL FIRE EXTINGUISHER
32		
32		200A FUSED EXTERIOR DISCONNECT - 50.0 W/200A CURRENT LIMITING FUSES
33		
33		LFC SURGE ARRESTOR
34		
34		4"X4"X2-1/8" J-BOX W/(2) 120V PILOT LTS. FOR UTILITY POWER IND.
35		
35		4"X4"X12" WIRE DUCT - 50.0
36	14	TC5435A
36		TYRAP MOUNTING CLAMP W/TYRAP #1Y23M
37	23 FT	
37		#5 GREEN STRANDED COPPER WIRE EQUIP. DROPS
38	20	
38		COMPRESSION FITTING FOR #2 X #6 WIRE T&B
39	9	CTL6-214
39		2 HOLE CRIMP FITTING FOR #6 WIRE BLACKBURN
40		
40		PIPE GROUND CLAMP 1/2"-1" PIPE FOR #6 WIRE T&B
41		
41		PIPE GROUND CLAMP 1/4"-2" PIPE FOR #6 WIRE T&B
42		
42		4" X 6" X 1/4" COPPER GROUND PLATE
43		
43		36"W X 24"D FOLD DOWN DESK

SEE NOTE 7

SEE NOTE 5

NOTES:

- 1) MANUAL TRANSFER SWITCH GROUND WIRE MUST BE ATTACHED TO GROUNDING SYSTEM BEFORE APPLYING POWER.
- 2) ALL WIRE AMPACITIES ARE BASED ON TABLE 310-16 NEC.
- 3) CONDUIT FILL IS BASED ON CHAPTER 9 NEC.
- 4) ALL EXTERIOR FIXTURES ARE WEATHERPROOF.
- 5) CONNECT PILOT LIGHTS TO "UTILITY" SIDE OF M.T.S. WITH 5 AMP 250V IN LINE FUSES ON PHASE CONDUCTORS.
- 6) DO NOT CUT OUT INTERIOR PANELING FOR WAVEGUIDE ENTRIES. VERIFY LOCATION OF WAVEGUIDE PORT AND EXTERIOR BLANK PLATES WITH MANAGEMENT BEFORE INSTALLING.
- 7) INSTALL INTERIOR & EXTERIOR GROUND BARS AT WAVEGUIDE ENTRY ONLY.
- 8) GROUND POWER PATH. BOX BACK TO LOAD CENTER GROUND BAR WITH #12 THIN GREEN WIRE.
- 9) SHELTER ALARM TERMINAL BLOCK.
- 10) USE COMPRESSION TYPE FITTINGS ON ALL ENT CONDUIT TERMINATION POINTS.



RIGHT ENDWALL - NOTE 10

TYPE 'A' SHELTER  
EXTERIOR FINISH: EXPOSED AGGREGATE

PACK IN SHELTER:

- (10) ES4941 LATERAL SLIDE RESISTANCE PLATES
- (1) WAVEGUIDE BOOT KIT - VERIFY TYPE A OR B

WALL R-VALUE = 11.87  
ROOF R-VALUE = 22.87  
FLOOR R-VALUE = 5.55

TYPE "A" WAVEGUIDE LOCATIONS:  
LTE - LEFT ENDWALL  
RTE - RIGHT ENDWALL  
RWS - REAR SIDEWALL  
FIS - FRONT SIDEWALL

R2	GENERAL REVISIONS	8-12-96	KFJ
R1	GENERAL REVISIONS	6-12-96	WKM

REV. NO. REVISION DESCRIPTION DATE BY

**ROHN** BUILDING DESIGN  
1991 UNR-ROHN, INC.  
ALL RIGHTS RESERVED

CONCRETE - ESC10209  
AT&T WIRELESS-DETROIT  
10'X20'X9'H SHELTER EST1627

SCALE 3/8" = 1'-0"

DATE 04-26-96  
DRAWN BY DGB  
CHECKED BY JRS  
APPROVED BY ENGINEER  
DATE 04-26-96

THIS DRAWING IS THE PROPERTY OF ROHN. IT IS NOT TO BE REPRODUCED, COPIED OR TRACED OR MADE OR IN PART WITHOUT OUR WRITTEN CONSENT.

FILE NUMBER ES02481  
DRAWING NUMBER D960333 R2

