

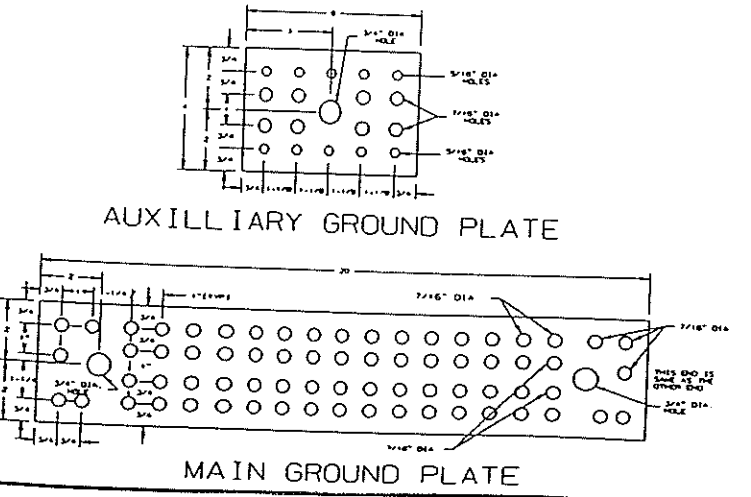
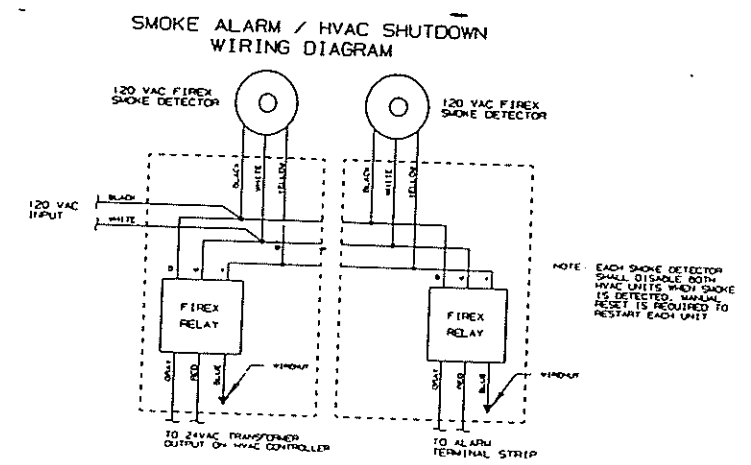
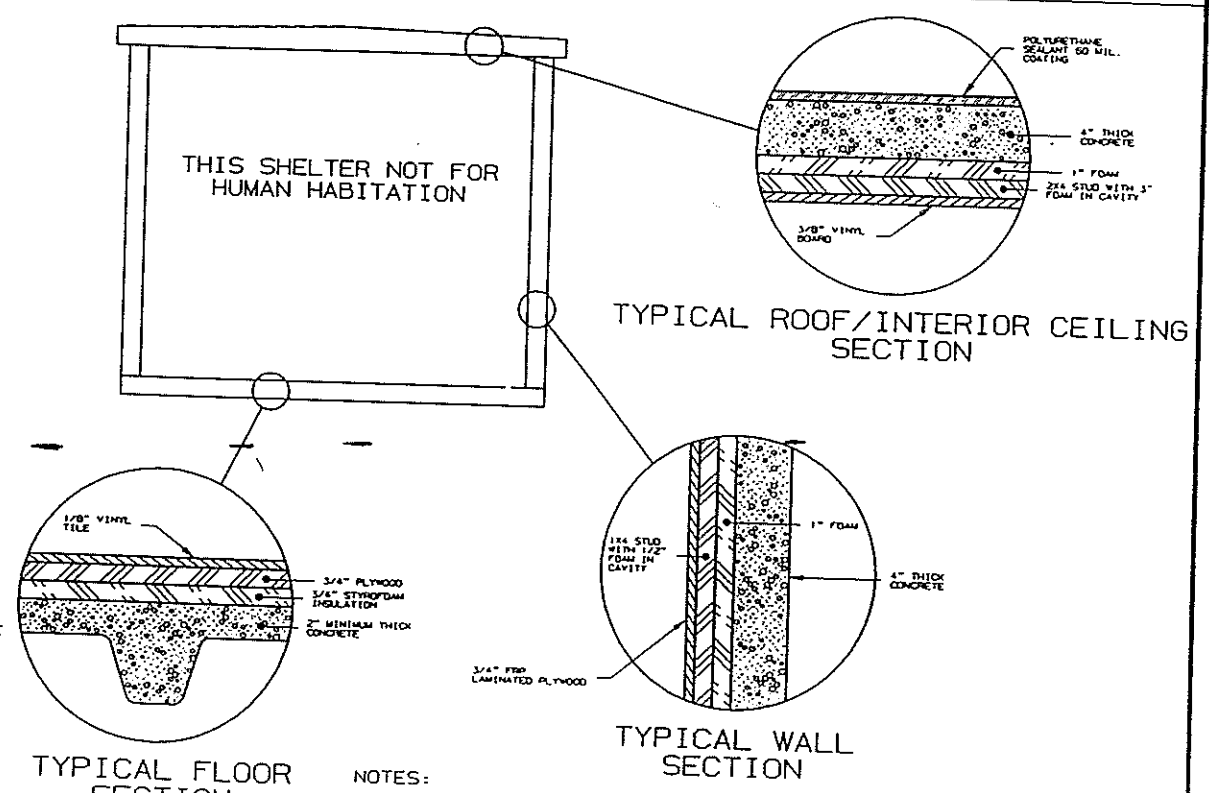
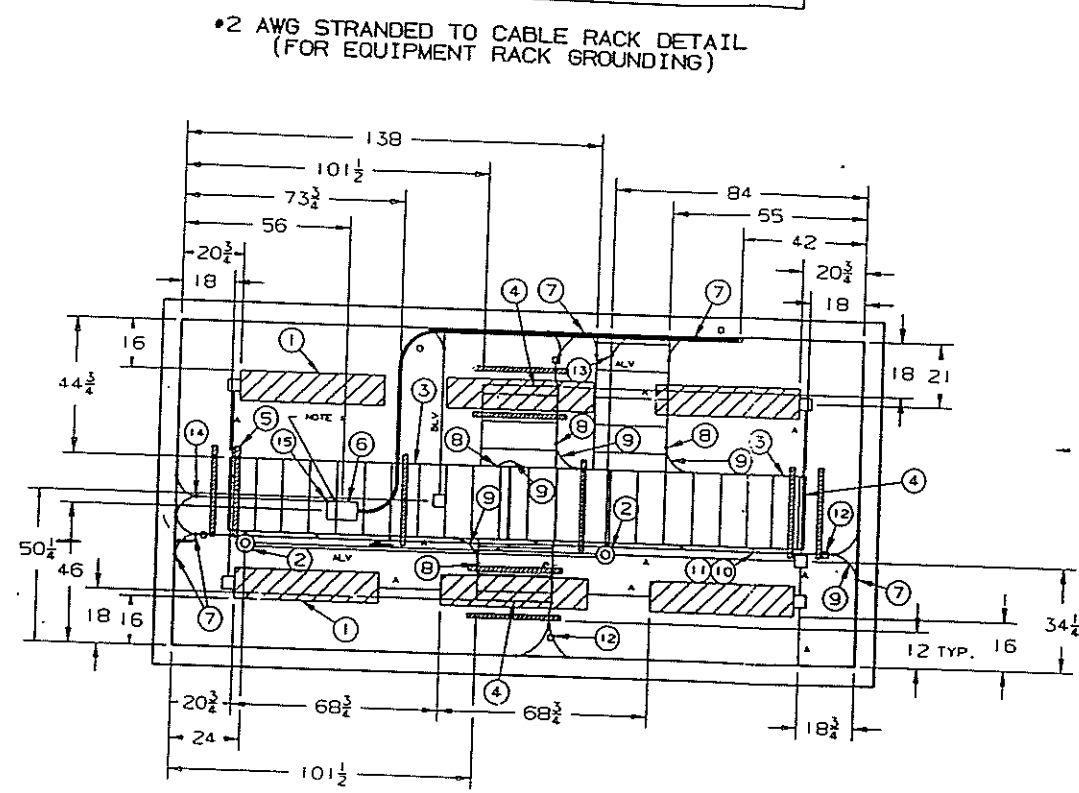
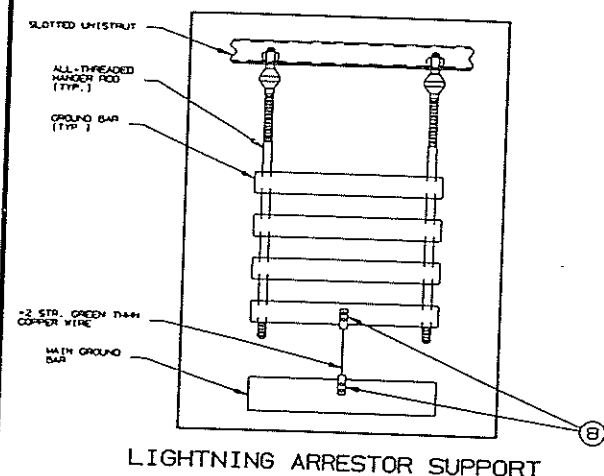
CONDUIT KEY

A = 1/2"	ALV = 1/2"
B = 3/4"	BLV = 3/4"
C = 1"	CLV = 1"
D = 1-1/4"	
E = 2"	
F = 2-1/2"	
G = 3"	
H = 4"	

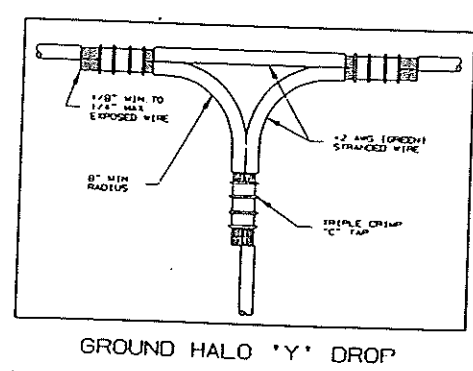
NOTE: "LV" DESIGNATES LOW VOLTAGE CONDUIT

EQUIPMENT LIST

ITEM#	QUAN.	MANUFAC. PART#	DESCRIPTION
1	6	LB 240	40W (2)BULB 48" FLUOR. LIGHT W/DIFFUSER LITHONIA
2	2	G-6	120V SMOKE DETECTOR WITH REMOTE CONTACT FIREX
3	26 FT		24" CABLE RACK CENTRAL STEEL
4	4		24" CABLE RACK END BAR
5	10		1-5/8" X 30" UNISTRUT
6	1		10" X 6" X 4" ENCLOSURE FOR RECTIFIER DROPS
7	14		COMPRESSION FITTING FOR #2 X #2 WIRE T&B
8	14		2 HOLE CRIMP FITTING FOR #2 WIRE BLACKBURN
9	34 FT		#2 STRANDED COPPER WIRE WITH GREEN INSULATION
10	9	M-5-8	WIRE RETAINER HARNESS CADDY
11	9		WIRE RETAINER CLIP Z.P. STEEL
12	4	TC5435A	TYRAP MOUNTING CLAMP W/TYRAP #TY23M
13	2	3826	PIPE GROUND CLAMP 1/2"-1" PIPE T&B
14	3		COMPRESSION FITTING FOR #2X#6 WIRE T&B
15	1		2 HOLE CRIMP FITTING FOR #6 WIRE
16	1	LABKTATT	LIGHTING ARRESTER BRACKET HARGER



CEILING - NOTE 3
REFLECTED VIEW
MOUNT CABLE RACK 7'-6" A.F.F. TO BOTTOM OF CABLE RACK



PANEL SCHEDULE

MAIN: 200A CIRCUIT BREAKER VOLTAGE: 120/240V PHASE: 1 WIRE: 3

LOCATION	BRKR	WIRE	NO	NO	WIRE	BRKR	LOCATION
HVAC UNIT #1	35A	#10	1	2	#8	60A	SURGE ARRESTOR #
POWER FAIL RELAY	15A	#12	5	4	"	"	"
"	"	"	7	6	#10	35A	HVAC UNIT #2
INT. LIGHTS/EMERG. LT	15A	#12	9	8	"	"	"
EXTERIOR LIGHT	15A	#12	11	10	#12	15A	RECEPT. GROUP #1
EXT. GFI RECEPTACLE	15A	#12	13	12	#12	15A	RECEPT. GROUP #2
RECTIFIER #1	30A	#10	15	14	#12	15A	SMOKE DETECTOR
"	"	"	17	16	#10	30A	RECTIFIER #2
SPARE	"	"	19	18	"	"	"
"	40A	"	21	20	#10	30A	RECTIFIER #3
SPARE	"	"	23	22	"	"	"
SPARE	20A	"	25	24	#12	15A	HVAC CONTROLLER
SPARE	20A	"	25	26	"	20A	SPARE
SPARE	30A	"	27	28	"	30A	SPARE
"	"	"	29	30	"	"	"

- NOTES:**
- 1) COIL UP 15FT. EACH OF (3) #10 BLACK, (3) #10 RED AND (3) #10 GREEN FOR CUSTOMER CONNECTION OF RECTIFIER CIRCUIT. TAG EACH CIRCUIT PER THE PANEL SCHEDULE DESIGNATION.
 - 2) USE 15A 1 POLE LOCK TYPE CIRCUIT BREAKER AND SMOKE DETECTOR CIRCUITS MUST COMPLY WITH NFPA #72A FOR DEDICATED BREAKER LOCK CIRCUITS.
 - 3) USE COMPRESSION TYPE FITTINGS ON ALL EMT CONDUIT TERMINATION POINTS.
 - 4) MOUNT LIGHTING ARRESTER BRACKET TO THE UNISTRUT SUPPORT LOCATED ADJACENT TO THE WAVEGUIDE ENTRY. GROUND BRACKET PER DETAIL.

TYPE 'A' SHELTER

REV. NO. REVISION DESCRIPTION DATE BY

ROHN BUILDING DESIGN
1991 UNR-ROHN, INC.
ALL RIGHTS RESERVED

TITLE: CONCRETE - ESC10209
AT&T WIRELESS-DETROIT
10'X20' CEILING EST1742

SCALE: 3/8" = 1'-0"

UNLESS OTHERWISE SPECIFIED, DIMENSIONS ARE GIVEN IN INCHES. FRACTIONS TO NEAREST DECIMALS.

DATE: 08-16-96
DRAWN BY: KFJ
CHECKED BY: JRS
DATE: 08-19-96

THIS DRAWING IS THE PROPERTY OF ROHN. IT IS NOT TO BE REPRODUCED, COPIED OR TRACED IN WHOLE OR IN PART WITHOUT OUR WRITTEN CONSENT.

APPROVED BY: ENGINEERING DATE: FILE NUMBER: ES02461