

TABLE OF CONTENTS

DRAWING NO.	DESCRIPTION	SHEET NO.
11x30-01	TABLE OF CONTENTS	1 of 14
11x30-02	BILL OF MATERIALS	2 of 14
11x30-03	ISOMETRIC	3 of 14
11x30-04	WALL "A"	4 of 14
11x30-05	WALL "B"	5 of 14
11x30-06	WALL "C"	6 of 14
11x30-07	WALL "D"	7 of 14
11x30-08	FLOOR PLAN	8 of 14
11x30-09	REFLECTED CEILING-CABLE TRAY	9 of 14
11x30-10	REFLECTED CEILING-LIGHTING	10 of 14
11x30-11	WIRING SCHEMATIC	11 of 14
11x30-12	ALARM WIRING DIAGRAM	12 of 14
11x30-13	TYPICAL CONSTRUCTION DRAWING	13 of 14
11x30-14	TYPICAL CONSTRUCTION DRAWING	14 of 14



Mechanical Codes:	SMC, '97
Electrical Codes:	NEC, '99
Structural Codes:	SBC, '97
Applicable Codes:	SBC, '97
Maximum Wind Load:	100 mph
Floor Loads:	
Dead Loads:	11 psf
Live Loads:	125 psf
Roof Loads:	
Dead Loads:	5.5 psf
Live Loads:	20 psf
Seismic Zone:	Zone 1
Occupancy/use group type:	S2
Construction type:	VI UNP

- 1 CONVENIENCE OUTLETS SHALL BE EQUIPPED WITH GROUND FAULT PROTECTION.
- 2 NO FIXTURES, CONDUITS, ATTACHMENTS, OR WIRES SHALL BE MOUNTED IN THIS AREA.
- 3 WALL PLYWOOD TO BE MINIMUM OF 1 1/2" THICK IN THIS AREA. MINIMUM ADDITIONAL THICKNESS SHALL BE BEHIND THE SURFACE WALL.
- 4 MANUAL POWER TRANSFER SWITCH SQUARE D #82254 OR EQUIVALENT.
- 5 30 POSITION BREAKER PANEL. SQUARE D "QO" SERIES, 200 AMP MAIN BREAKER OR EQUIVALENT.
- 6 ALL UNISTRUT P1000 AND LIGHTS ARE MOUNTED DIRECTLY TO THE CEILING.
- 7 CABLE LADDER TO BE 12 INCHES WIDE AND 8"-3" FROM THE FINISH FLOOR TO THE BOTTOM OF CABLE LADDER.
- 8 AT LOCATION OF ALARM DEVICE LEAVE 14 FEET OF WIRE. AT JUNCTION BOX LEAVE 6 FEET OF WIRE. BOTH ENDS OF WIRE SHALL BE IDENTIFIED AND COILED FOR TERMINATION BY OTHERS.
- 9 WIRE FROM JUNCTION BOX TO ALARM DEVICE. TERMINATE WIRES AT ALARM DEVICE ONLY. AT JUNCTION BOX LEAVE 6 FEET OF WIRE. WIRE SHALL BE IDENTIFIED AND COILED FOR TERMINATION BY OTHERS.
- 10 ALARM WIRING TO BE 22 GAUGE, SOLID, SOFT COPPER WIRE WITH POLYETHYLENE INSULATION AND POLYVINYL CHLORIDE JACKET; BELDEN 8795 (1 PR) 9794 (2 PR) OR EQUIVALENT.
- 11 ALARM WIRING SHALL NOT BE PLACED IN THE SAME CONDUIT AS A/C AND D/C POWER WIRING.
- 12 WIRES FOR BATTERY CHARGERS TO BE RUN TO JUNCTION BOX AND PIGTAILED APPROXIMATELY 14 FEET IN JUNCTION BOX. WIRES WILL BE CONNECTED TO CHARGERS AND DISTRIBUTION BUS BY THE COMMUNICATION EQUIPMENT INSTALLER.
- 13 USE 2/0 AWG, INSULATED, 19 STRAND, SOFT DRAWN COPPER GROUND WIRE FROM EXOTHERMIC WELD ON FRAME; THROUGH ALL ELECTRICAL PANELS. (EQUIPMENT FAULT PROTECTION GROUND).
- 14 SIGNAL REFERENCE GROUND SHALL BE EXOTHERMICALLY WELDED TO THE SKID. USE 2/0 AWG, INSULATED, 19 STRAND, SOFT DRAWN COPPER CABLE. ROUTE CABLE IN DESIGNATED CONDUIT, THEN ALONG CABLE LADDER TO MAKE A COMPLETE LOOP OF THE SHELTER, LEAVING APPROXIMATELY AN EXTRA 8 FEET OF WIRE COILED ON THE CABLE LADDER.
- 15 AIR CONDITIONING AND HEATING UNITS SHALL BE WIRED IN ACCORDANCE WITH THE MANUFACTURER'S INSTALLATION INSTRUCTIONS.
- 16 HVAC UNITS 1 AND 2 MUST BE PROPERLY PHASED TO ASSURE CORRECT 24 VAC TRANSFORMER PHASING. CHECK FOR PROPER LINE VOLTAGE PHASING BY USING 300 VAC VOLTMETER SET ON 300 VAC SCALE AND MEASURE BETWEEN TERMINAL L1 ON 240V TERMINAL BLOCK ON UNIT 1 AND TERMINAL L1 ON UNIT 2. IF LINE VOLTAGE IS PRESENT, UNITS ARE "OUT OF PHASE". TO CORRECT THIS, POWER DOWN THE UNITS, REVERSE THE FIELD WIRING TO UNIT 2 AND RECHECK. WHEN "0" VOLTS ARE MEASURED, THE UNITS ARE NOW "IN PHASE".
- 17 DC REFERENCE GROUND SHALL BE EXOTHERMICALLY WELDED TO THE SKID. USE #2/0 AWG, INSULATED, 19 STRAND, SOFT DRAWN COPPER CABLE. ROUTE CABLE IN DESIGNATED CONDUIT; THEN ALONG CABLE LADDER TO A POINT ABOVE RACK POSITION (BATTERY CHARGER) LEAVING APPROXIMATELY 8 FEET PIGTAILED ABOVE.
- 18 AT LOCATION OF ALARM DEVICE LEAVE SIX (6) FEET OF WIRE. AT JUNCTION BOX LEAVE FORTY (40) FEET OF WIRE. BOTH END OF WIRE SHALL BE IDENTIFIED AND COILED FOR TERMINATION BY OTHERS.
- 19 FIBER OPTIC CABLE SHIELD GROUND BUS BAR SHALL BE EXOTHERMICALLY CONNECTED TO THE SHELTER SKID. USE 2/0 AWG, INSULATED, 19 STRAND, SOFT DRAWN COPPER CABLE. ROUTE CABLE THROUGH DESIGNATED CONDUIT.

- 20 PROVIDE AND INSTALL 1-15 AMP 2 POLE CIRCUIT BREAKER TO SERVE SURGE PROTECTOR "A" DEVICE. NOTE, NO MORE THAN 10 KIA RATINGS ON BREAKERS.
- 21 WIRE COLOR CODES REQUIRED:
 - 120-V, 3 WIRE CIRCUIT: GROUND NEUTRAL-WHITE; HOT LEG-BLACK; EQUIPMENT GROUND-GREEN.
 - 240V, 3-WIRE, SINGLE-PHASE CIRCUIT: ONE HOT LEG-BLACK; THE OTHER HOT LEG-RED; EQUIPMENT GROUND-GREEN

Label & Data Plate (As Req'd) To Be Located On Breaker Panel Cover.

All Junction Boxes To Be Surface Mounted And Grounded.

All Wiring To Be Run In Surface Mounted EMT Or Wireways.

ITEMS NOTED THUS TO BE INSTALLED BY OTHERS: (C)

NOTES:
Items Under Local Code Authority:
Foundation Installation
Electrical Hookup

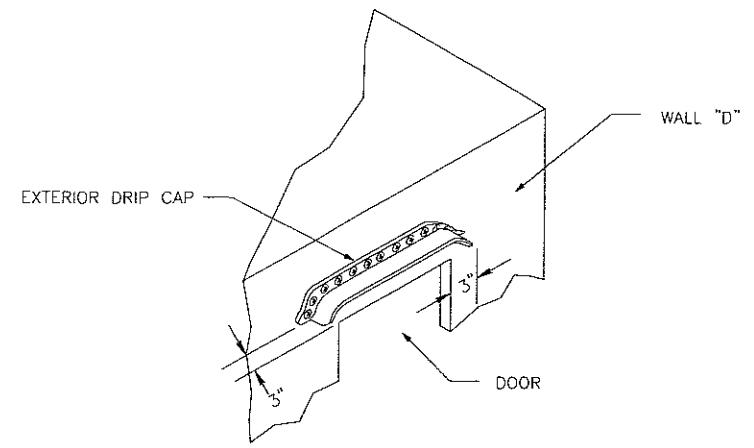
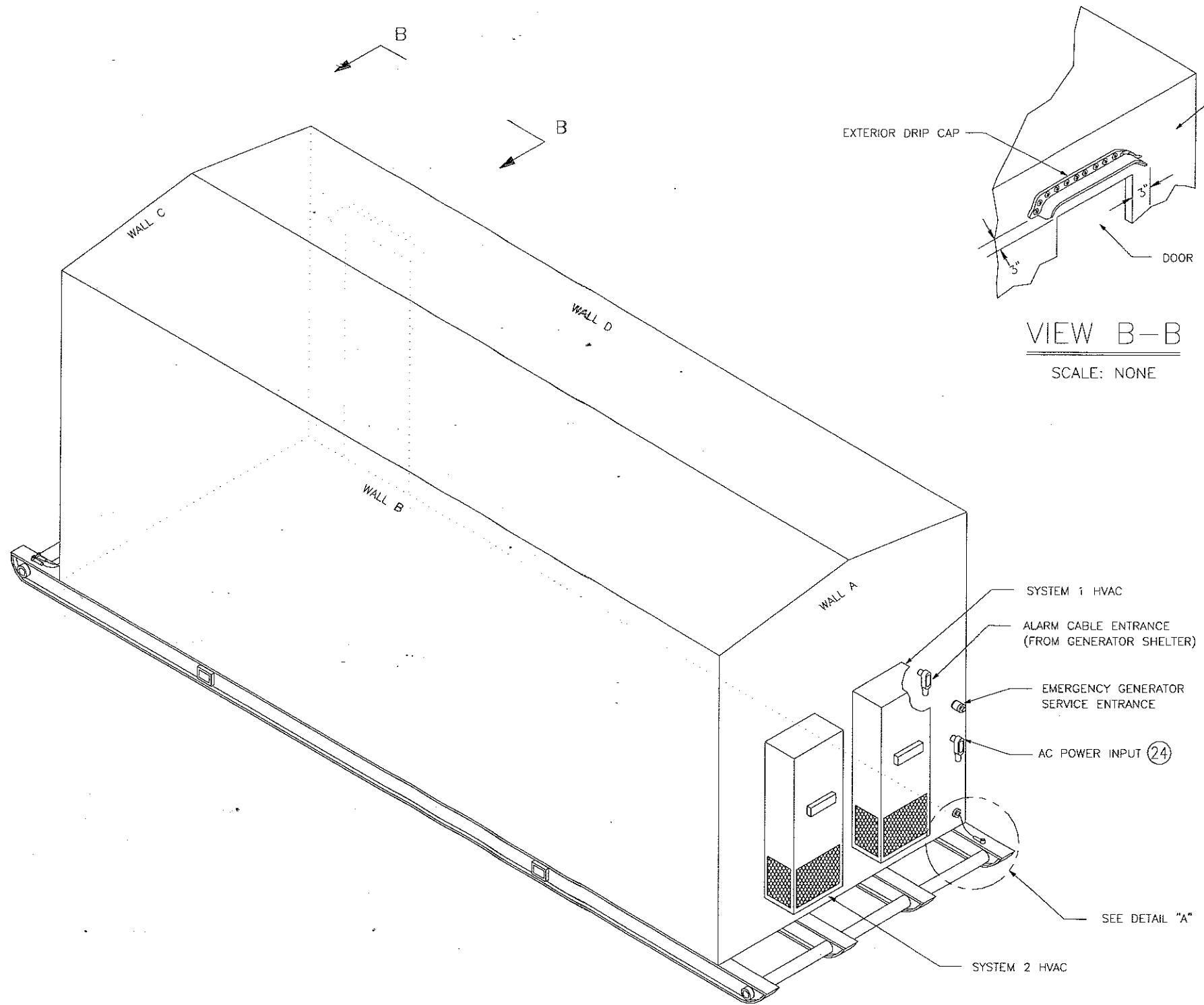
Items Required Under PART III-28CFR36 To Be Provided By Owner On Site

PROPRIETARY AND CONFIDENTIAL
THIS DOCUMENT AND THE INFORMATION CONTAINED HEREIN ARE THE SOLE PROPERTY OF FWT, INC. DUPLICATION OR DISSEMINATION OF THIS INFORMATION WITHOUT PRIOR WRITTEN CONSENT OF FWT, INC. IS PROHIBITED.

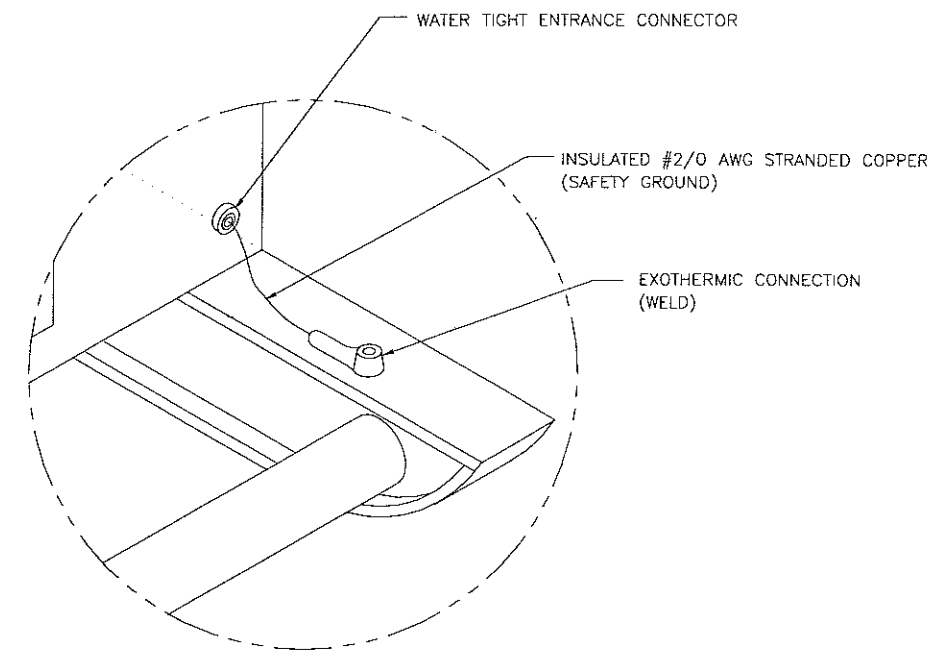
FWT, Inc.
5750 East I-20
Fort Worth, Texas 76119 U.S.A.
(817) 255-3060 FAX (817) 572-0604

State

REV.	DATE	BY	INIT.	DESCRIPTION
		RV		11' x 30' (9' CLG) EQUIPMENT SHELTER
				SCALE: NONE
				DATE: 18-APR-2000
				JOB NO. MCI-MASTER
				SHEET NO. 1 OF 14
				DRAWING NO. 11x30-01



VIEW B-B
SCALE: NONE



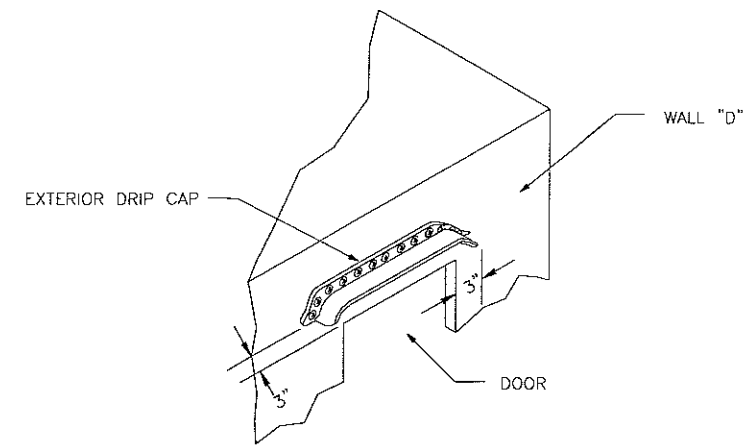
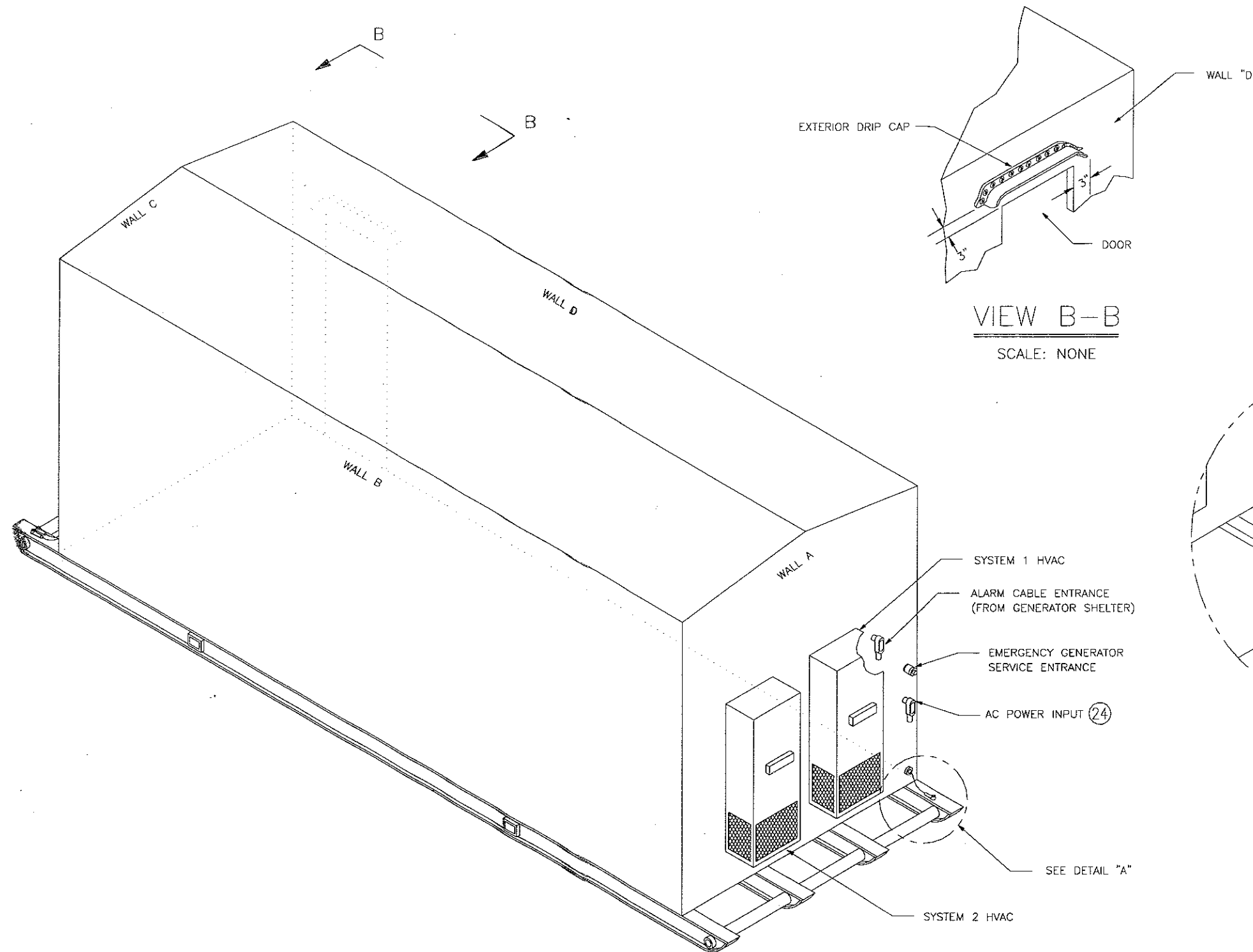
DETAIL "A"
SCALE: NONE

ISOMETRIC VIEW OF SHELTER

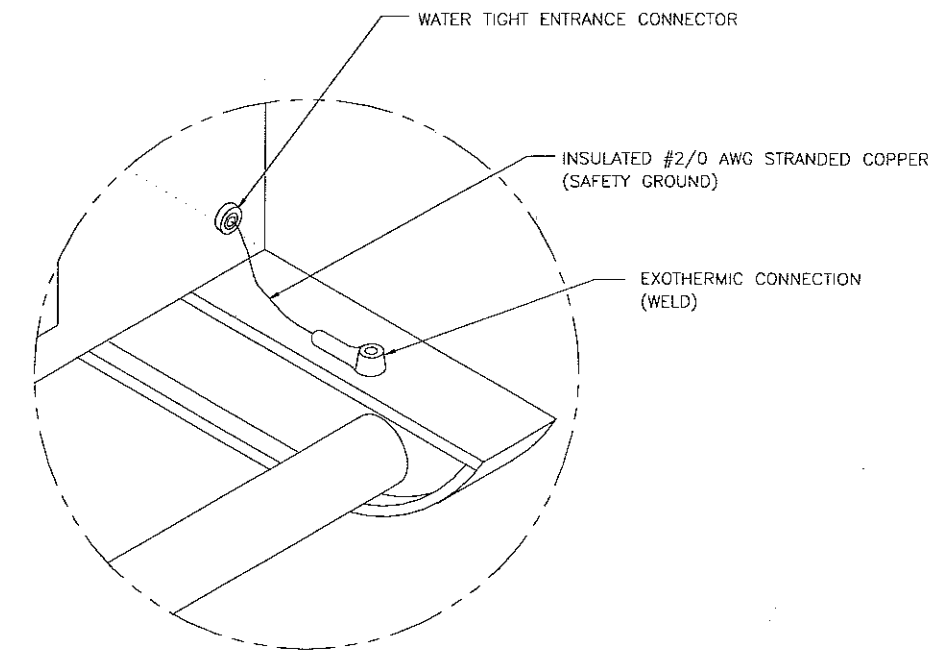
1 PROPRIETARY AND CONFIDENTIAL 1
THIS DOCUMENT AND THE INFORMATION
CONTAINED HEREIN ARE THE SOLE PROPERTY OF
FWT, INC. DUPLICATION OR DISSEMINATION OF
THIS INFORMATION WITHOUT PRIOR WRITTEN
CONSENT OF FWT, INC. IS PROHIBITED.

FWT, Inc.
5750 East I-20
Fort Worth, Texas 76119 U.S.A.
(817) 255-3060 FAX (817) 255-8656

REV.	DATE	BY	INIT.	DESCRIPTION
		JCASE		W:_FWT_MASTERS\SHELTERS\CUSTOMER\M_11x30-03.DWG[17-JUL-2001]12:09
SPECIFIC INFORMATION				SCALE: NONE
11' x 30' (9' CLG) EQUIPMENT SHELTER				DATE: 06-JUL-2001
DRAWING TITLE				SHEET NO. 3 OF 14
ISOMETRIC				JOB NO. MCI-MASTER
				DRAWING NO. 11x30-03



VIEW B-B
SCALE: NONE



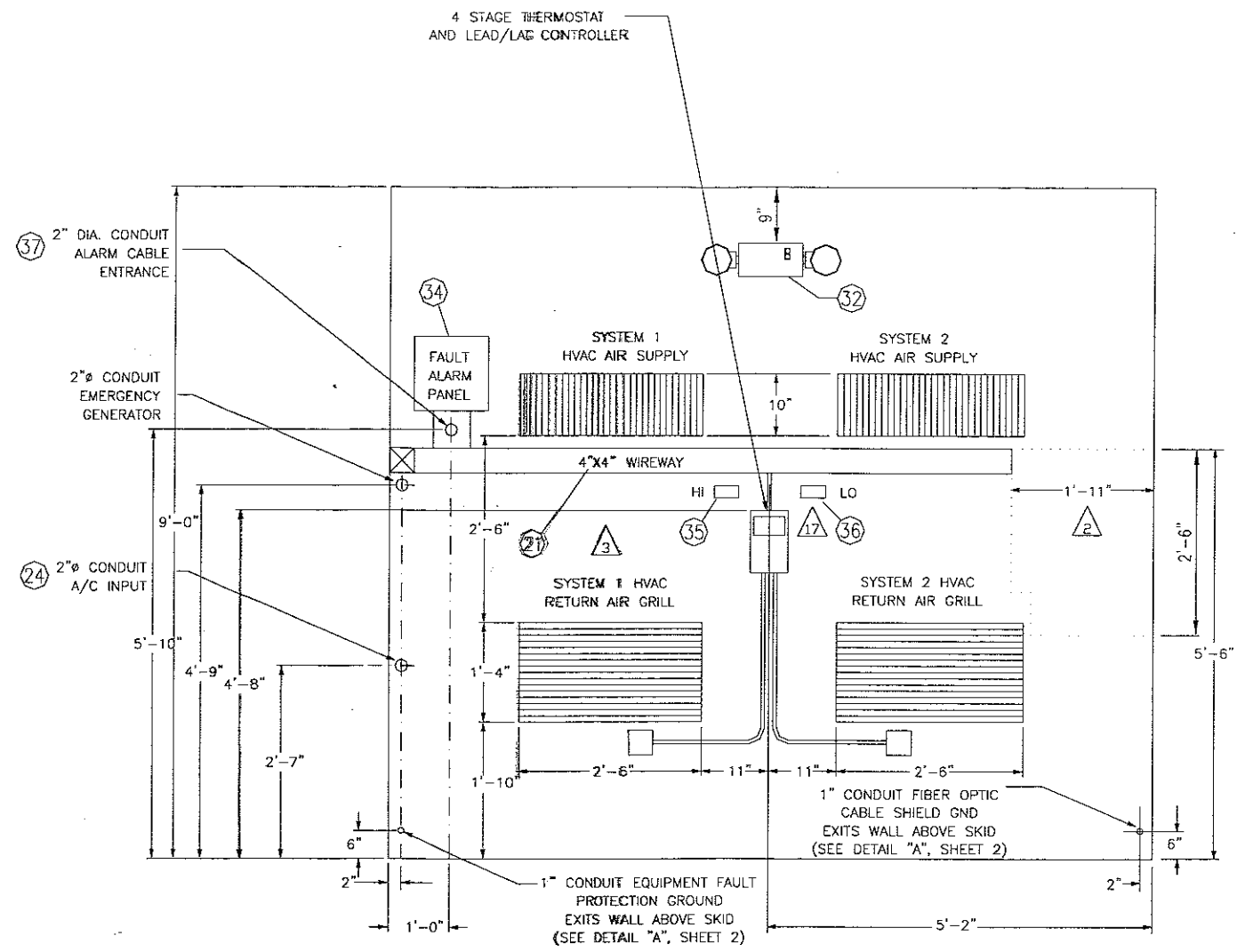
DETAIL "A"
SCALE: NONE

ISOMETRIC VIEW OF SHELTER

! PROPRIETARY AND CONFIDENTIAL !
THIS DOCUMENT AND THE INFORMATION
CONTAINED HEREIN ARE THE SOLE PROPERTY OF
FWT, INC. DUPLICATION OR DISSEMINATION OF
THIS INFORMATION WITHOUT PRIOR WRITTEN
CONSENT OF FWT, INC. IS PROHIBITED.

FWT, Inc.
5750 East I-20
Fort Worth, Texas 76119 U.S.A.
(817) 255-3060 FAX (817) 255-8656

REV.	DATE	BY	INIT.	DESCRIPTION
		JCASE		W:_FWT_MASTERS\SHELTERS\CUSTOMER\M...11x30-03.DWG[17-JUL-2001]12:09
SPECIFIC INFORMATION				SCALE: NONE
11' x 30' (9' CLG) EQUIPMENT SHELTER				DATE: 06-JUL-2001
DRAWING TITLE				SHEET NO. 3 OF 14
ISOMETRIC				JOB NO. MCI-MASTER
				DRAWING NO. 11x30-03

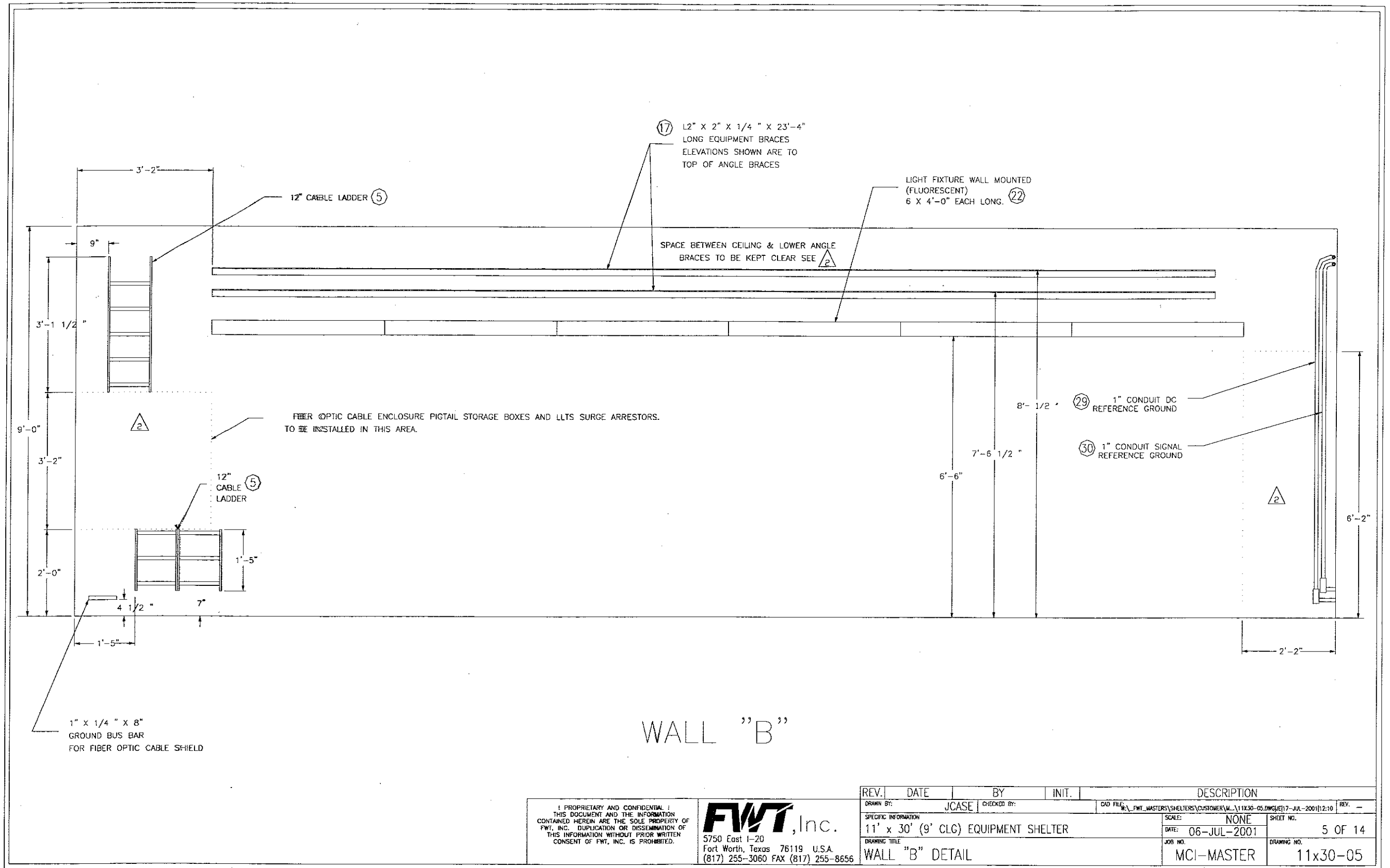


WALL "A"

PROPRIETARY AND CONFIDENTIAL
 THIS DOCUMENT AND THE INFORMATION
 CONTAINED HEREIN ARE THE SOLE PROPERTY OF
 FWT, INC. DUPLICATION OR DISSEMINATION OF
 THIS INFORMATION WITHOUT PRIOR WRITTEN
 CONSENT OF FWT, INC. IS PROHIBITED.

FWT, Inc.
 5750 East I-20
 Fort Worth, Texas 76119 U.S.A.
 (817) 255-3060 FAX (817) 255-8656

REV.	DATE	BY	INIT.	DESCRIPTION
1		JCASE		11' x 30' (9' CLG) EQUIPMENT SHELTER
DRAWN BY: JCASE				DATE: 06-JUL-2001
CHECKED BY:				SCALE: NONE
CAD FILE: W:\FWT_MASTERS\SHELTERS\CUSTOMER\M...11X30-04.DWG				SHEET NO. 4 OF 14
DRAWING TITLE: WALL "A" DETAIL				DRAWING NO. 11x30-04
JOB NO. MCI-MASTER				

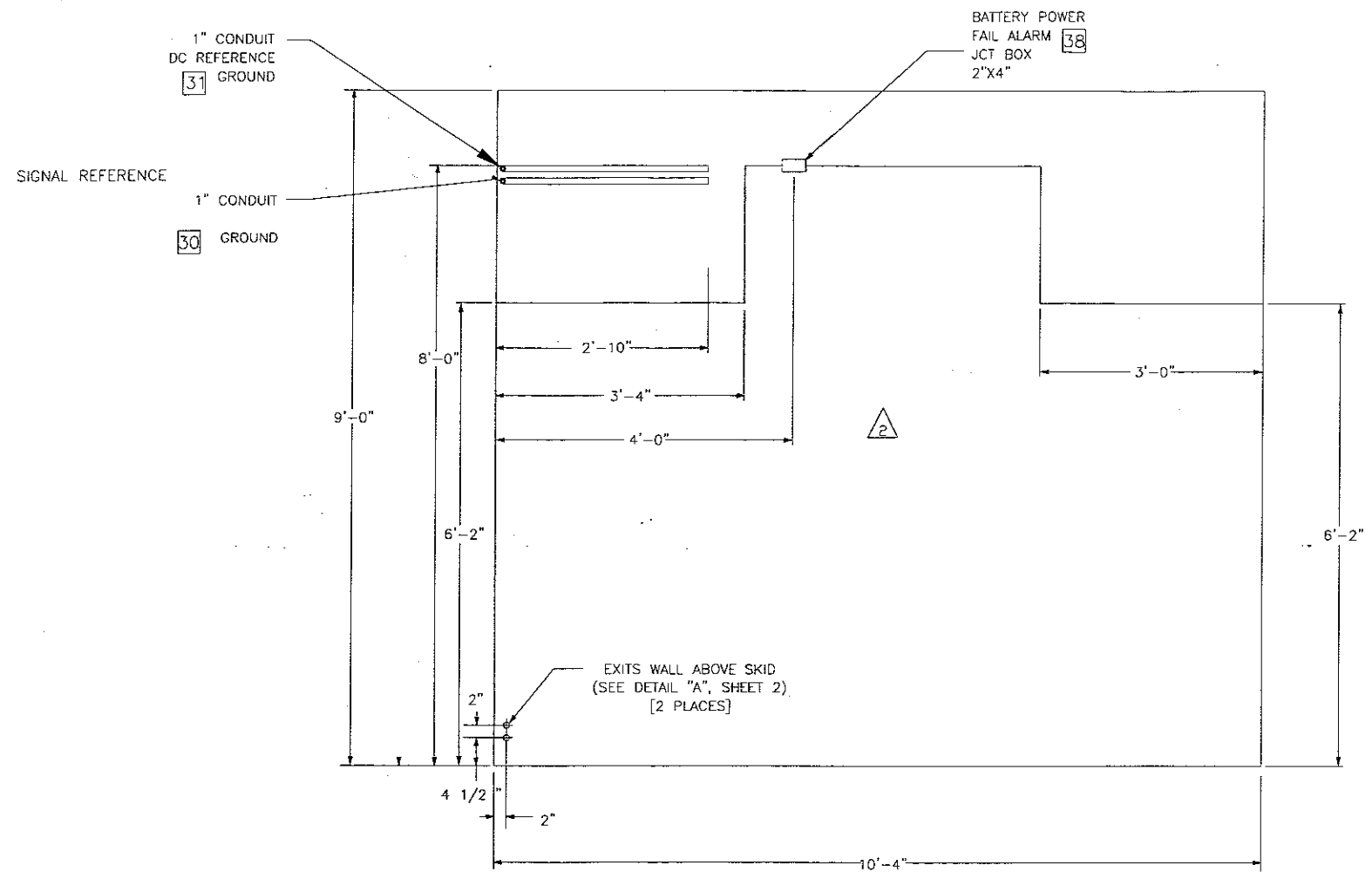


WALL "B"

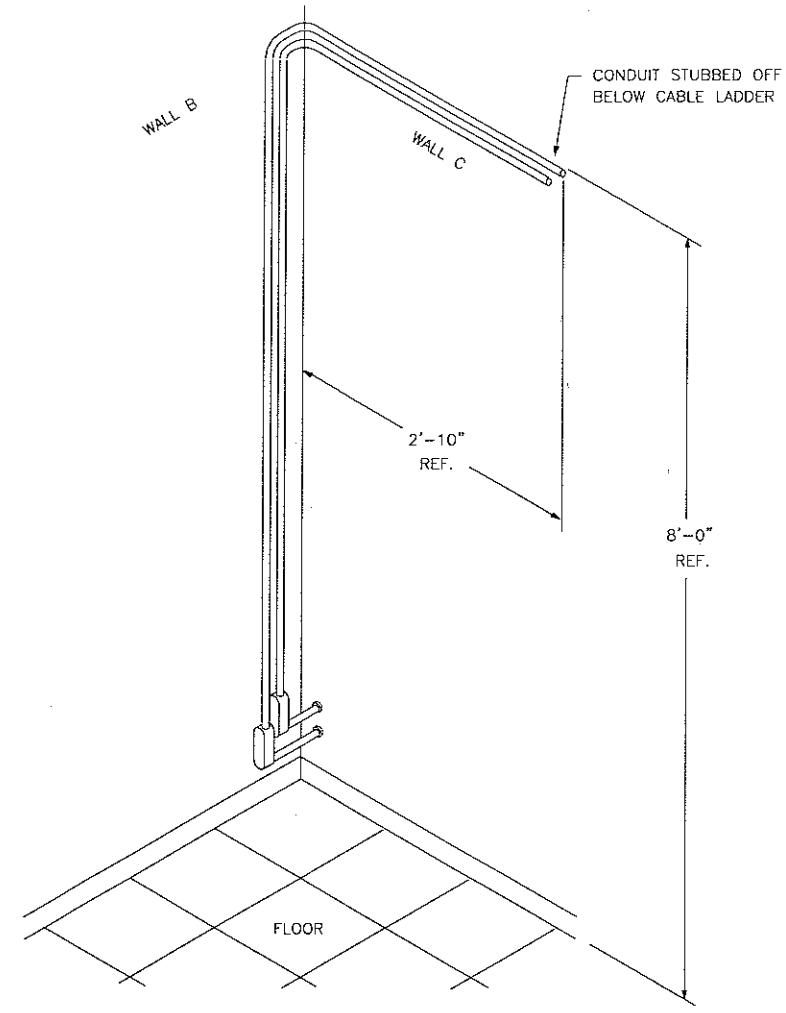
! PROPRIETARY AND CONFIDENTIAL !
 THIS DOCUMENT AND THE INFORMATION
 CONTAINED HEREIN ARE THE SOLE PROPERTY OF
 FWT, INC. DUPLICATION OR DISSEMINATION OF
 THIS INFORMATION WITHOUT PRIOR WRITTEN
 CONSENT OF FWT, INC. IS PROHIBITED.

FWT, Inc.
 5750 East I-20
 Fort Worth, Texas 76119 U.S.A.
 (817) 255-3060 FAX (817) 255-8656

REV.	DATE	BY	INIT.	DESCRIPTION
		JCASE		11' x 30' (9' CLG) EQUIPMENT SHELTER
				WALL "B" DETAIL
SCALE: NONE				SHEET NO. 5 OF 14
DATE: 06-JUL-2001				DRAWING NO. 11x30-05
JOB NO. MCI-MASTER				



WALL "C"

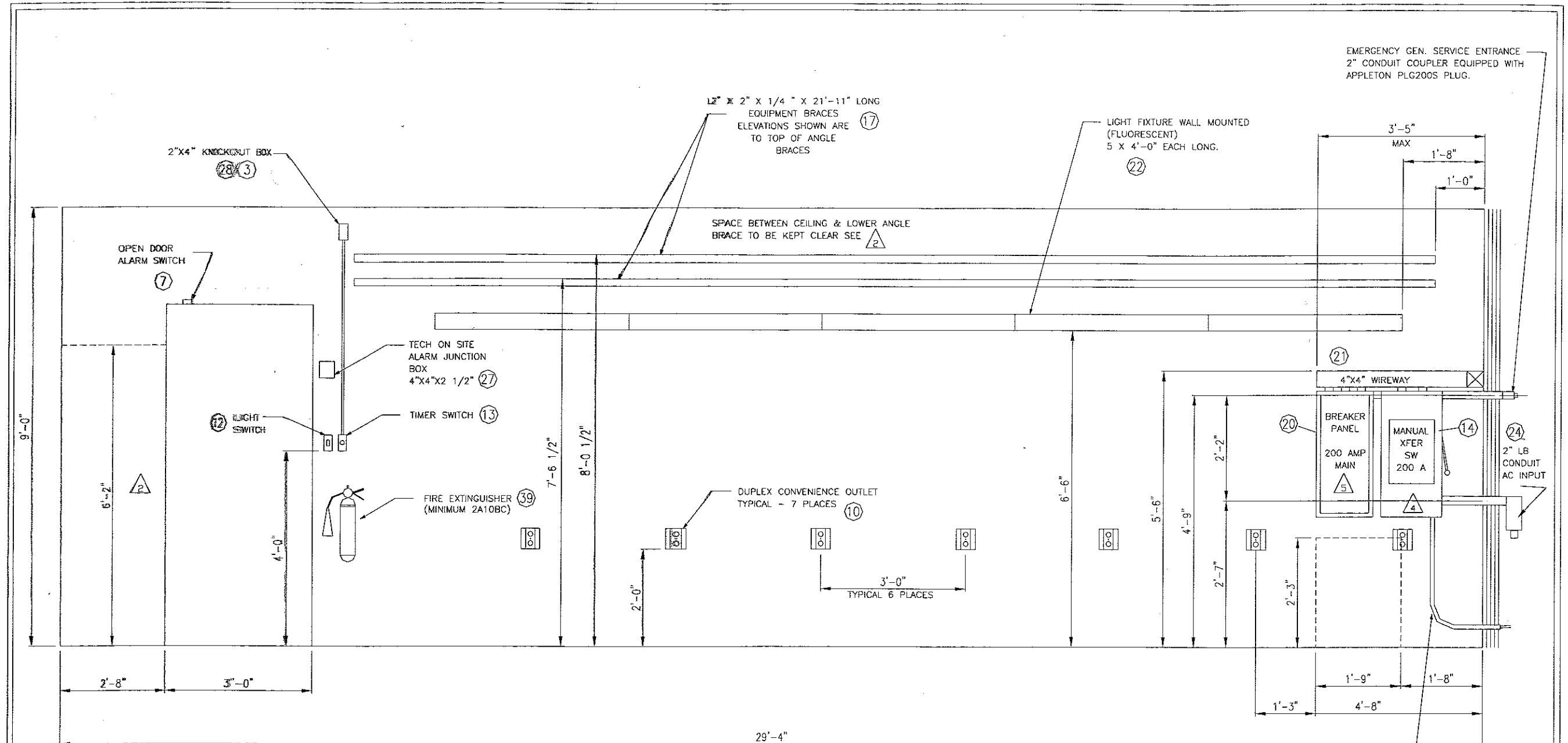


ISOMETRIC VIEW
OF 1" CONDUITS

! PROPRIETARY AND CONFIDENTIAL !
THIS DOCUMENT AND THE INFORMATION
CONTAINED HEREIN ARE THE SOLE PROPERTY OF
FWT, INC. DUPLICATION OR DISSEMINATION OF
THIS INFORMATION WITHOUT PRIOR WRITTEN
CONSENT OF FWT, INC. IS PROHIBITED.

FWT, Inc.
5750 East I-20
Fort Worth, Texas 76119 U.S.A.
(817) 255-3060 FAX (817) 255-8656

REV.	DATE	BY	INIT.	DESCRIPTION
		JCASE		CAD FILE: W:\FWT_MASTERS\SHelters\CUSTOMER\M_11x30-06.DWG\17-JUL-2001\12:11
SPECIFIC INFORMATION				SCALE: NONE
11' x 30' (9' CLG) EQUIPMENT SHELTER				DATE: 06-JUL-2001
DRAWING TITLE				SHEET NO. 6 OF 14
WALL "C" DETAIL				JOB NO. MCI-MASTER
				DRAWING NO. 11x30-06



EMERGENCY GEN. SERVICE ENTRANCE
2" CONDUIT COUPLER EQUIPPED WITH
APPLETON PLG200S PLUG.

L2" X 2" X 1/4" X 21'-11" LONG
EQUIPMENT BRACES
ELEVATIONS SHOWN ARE
TO TOP OF ANGLE
BRACES (17)

LIGHT FIXTURE WALL MOUNTED
(FLUORESCENT)
5 X 4'-0" EACH LONG. (22)

SPACE BETWEEN CEILING & LOWER ANGLE
BRACE TO BE KEPT CLEAR SEE (2)

TECH ON SITE
ALARM JUNCTION
BOX
4"X4"X2 1/2" (27)

TIMER SWITCH (13)

FIRE EXTINGUISHER
(MINIMUM 2A10BC) (39)

DUPLEX CONVENIENCE OUTLET
TYPICAL - 7 PLACES (10)

4"X4" WIREWAY (21)

BREAKER PANEL
200 AMP
MAIN (5)

MANUAL
XFER
SW
200 A (14)

2" LB
CONDUIT
AC INPUT (24)

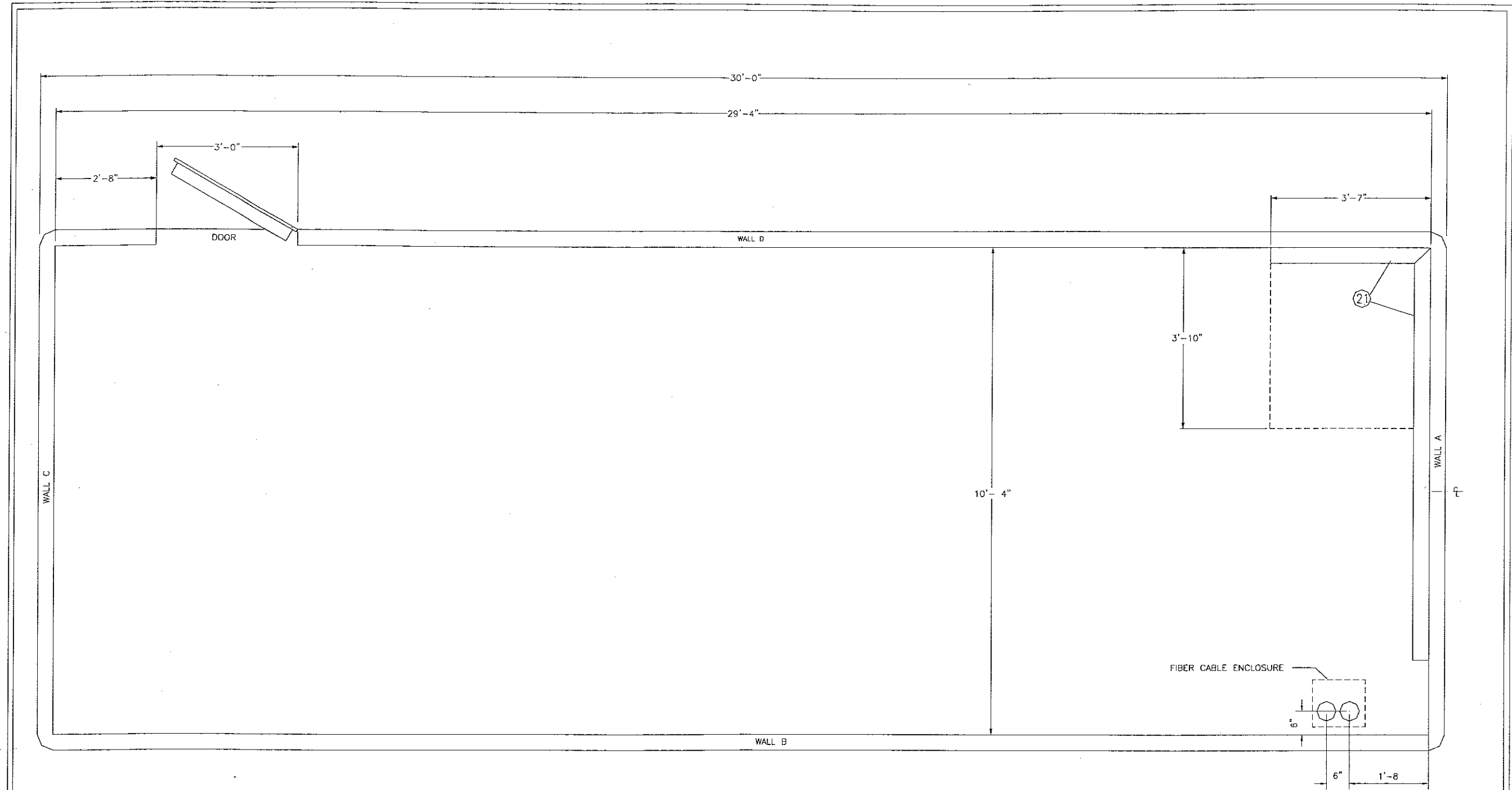
(25) 1" CONDUIT EQUIPMENT
FAULT PROTECTION GROUND
EXOTHERMIC WELD
CABLE TO SKID
(SEE DETAIL "A" SHEET 3)

WALL "D"

PROPRIETARY AND CONFIDENTIAL
THIS DOCUMENT AND THE INFORMATION
CONTAINED HEREIN ARE THE SOLE PROPERTY OF
FWT, INC. DUPLICATION OR DISSEMINATION OF
THIS INFORMATION WITHOUT PRIOR WRITTEN
CONSENT OF FWT, INC. IS PROHIBITED.

FWT, Inc.
5750 East I-20
Fort Worth, Texas 76119 U.S.A.
(817) 255-3060 FAX (817) 255-8656

REV.	DATE	BY	INIT.	DESCRIPTION
1		JCASE		11' x 30' (9' CLG) EQUIPMENT SHELTER
DRAWING TITLE				SCALE: NONE
WALL "D" DETAIL				DATE: 06-JUL-2001
JOB NO. MCI-MASTER				SHEET NO. 7 OF 14
				DRAWING NO. 11x30-07

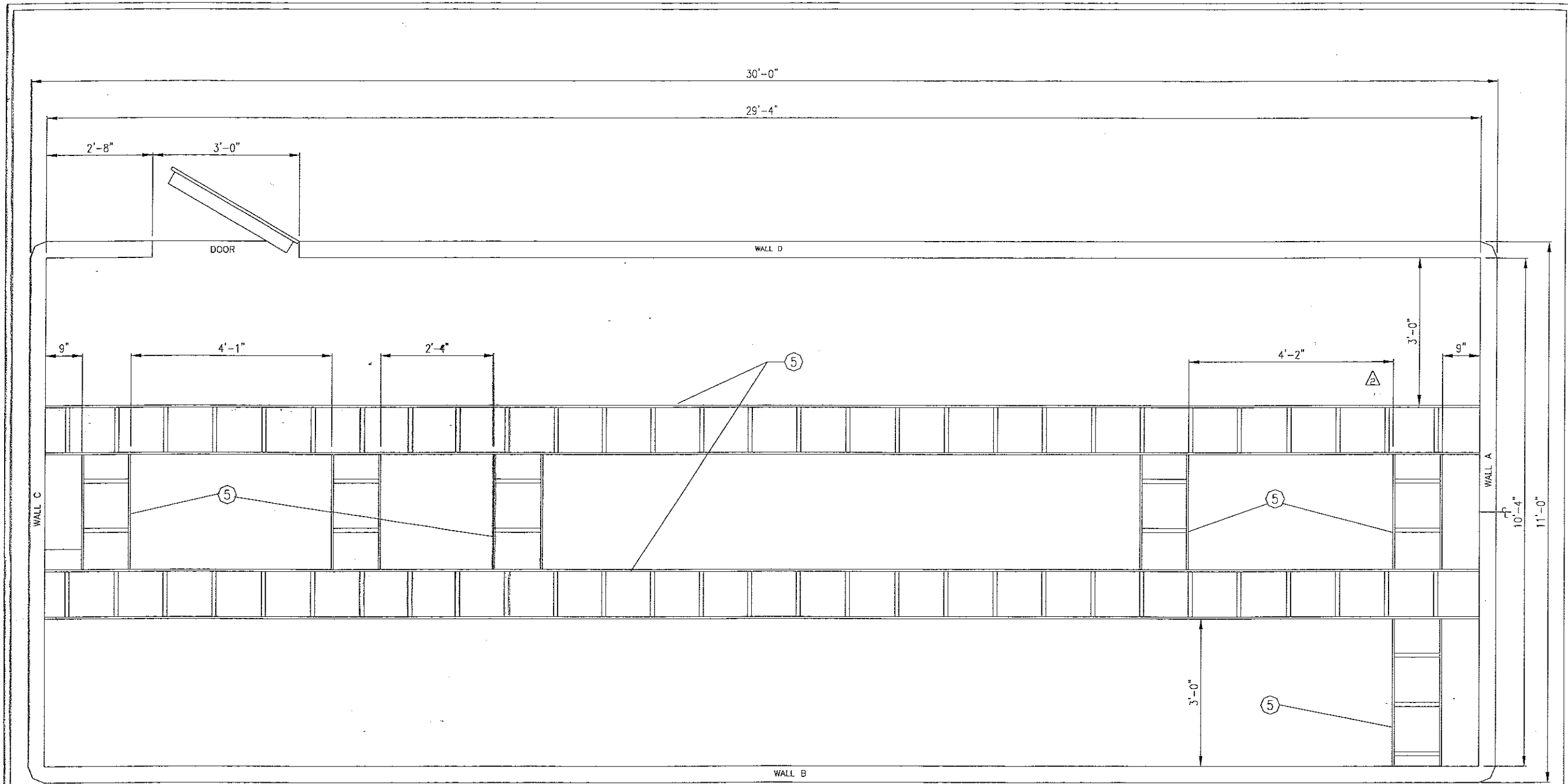


FLOOR PLAN

! PROPRIETARY AND CONFIDENTIAL !
 THIS DOCUMENT AND THE INFORMATION
 CONTAINED HEREIN ARE THE SOLE PROPERTY OF
 FWT, INC. DUPLICATION OR DISSEMINATION OF
 THIS INFORMATION WITHOUT PRIOR WRITTEN
 CONSENT OF FWT, INC. IS PROHIBITED.

FWT, Inc.
 5750 East I-20
 Fort Worth, Texas 76119 U.S.A.
 (817) 255-3060 FAX (817) 255-8656

REV.	DATE	BY	INIT.	DESCRIPTION
---	---	JCASE	---	11' x 30' (9' CLG) EQUIPMENT SHELTER
DRAWN BY: JCASE				SCALE: NONE
SHEET NO. 8 OF 14				DATE: 06-JUL-2001
DRAWING TITLE: FLOOR PLAN				JOB NO. MCI-MASTER
				DRAWING NO. 11x30-08



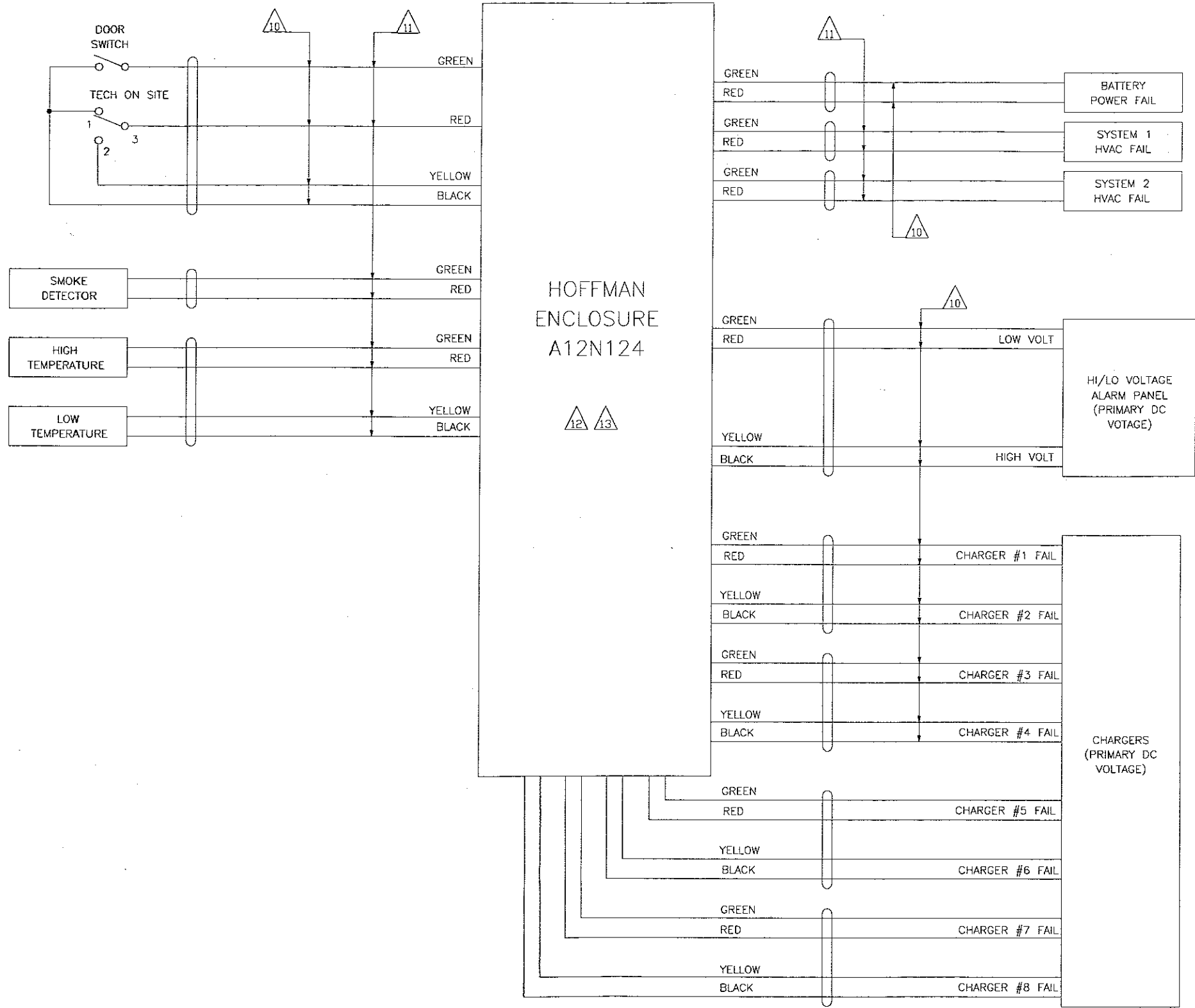
CABLE TRAY LAYOUT

! PROPRIETARY AND CONFIDENTIAL !
 THIS DOCUMENT AND THE INFORMATION
 CONTAINED HEREIN ARE THE SOLE PROPERTY OF
 FWT, INC. DUPLICATION OR DISSEMINATION OF
 THIS INFORMATION WITHOUT PRIOR WRITTEN
 CONSENT OF FWT, INC. IS PROHIBITED.

FWT, Inc.
 5750 East I-20
 Fort Worth, Texas 76119 U.S.A.
 (817) 255-3060 FAX (817) 255-8656

REV.	DATE	BY	INIT.	DESCRIPTION
		JCASE		11' x 30' (9' CLG) EQUIPMENT SHELTER
				CEILING-CABLE TRAY LAYOUT

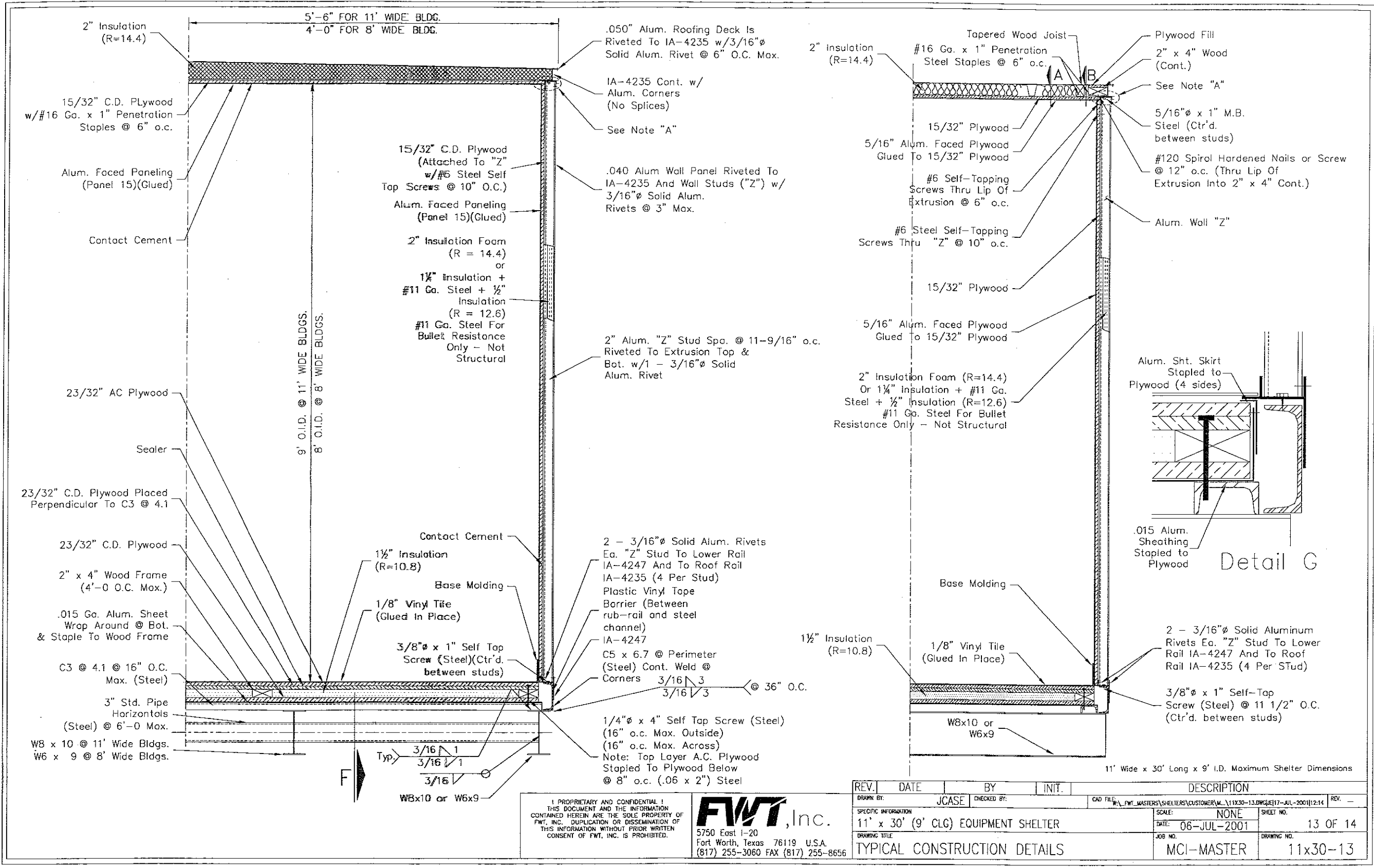
SCALE: NONE	SHEET NO. 9 OF 14
DATE: 06-JUL-2001	DRAWING NO. 11x30-09
JOB NO. MCI-MASTER	



! PROPRIETARY AND CONFIDENTIAL !
 THIS DOCUMENT AND THE INFORMATION
 CONTAINED HEREIN ARE THE SOLE PROPERTY OF
 FWT, INC. DUPLICATION OR DISSEMINATION OF
 THIS INFORMATION WITHOUT PRIOR WRITTEN
 CONSENT OF FWT, INC. IS PROHIBITED.

FWT, Inc.
 5750 East I-20
 Fort Worth, Texas 76119 U.S.A.
 (817) 255-3060 FAX (817) 255-8656

REV.	DATE	BY	INIT.	DESCRIPTION
		JCASE		11' x 30' (9' CLG) EQUIPMENT SHELTER
	06-JUL-2001			ALARM SYSTEM WIRING DIAGRAM
SCALE: NONE				SHEET NO. 12 OF 14
JOB NO. MCI-MASTER				DRAWING NO. 11x30-12



5'-6" FOR 11' WIDE BLDG.
4'-0" FOR 8' WIDE BLDG.

2" Insulation (R=14.4)

15/32" C.D. Plywood w/#16 Ga. x 1" Penetration Staples @ 6" o.c.

Alum. Faced Paneling (Panel 15)(Glued)

Contact Cement

15/32" C.D. Plywood (Attached To "Z" w/#6 Steel Self Tap Screws @ 10" O.C.)

Alum. Faced Paneling (Panel 15)(Glued)

2" Insulation Foam (R = 14.4) or 1 1/4" Insulation + #11 Ga. Steel + 1/2" Insulation (R = 12.6) #11 Ga. Steel For Bullet Resistance Only - Not Structural

23/32" AC Plywood

Sealer

23/32" C.D. Plywood Placed Perpendicular To C3 @ 4.1

23/32" C.D. Plywood

2" x 4" Wood Frame (4'-0 O.C. Max.)

.015 Ga. Alum. Sheet Wrap Around @ Bot. & Staple To Wood Frame

C3 @ 4.1 @ 16" O.C. Max. (Steel)

3" Std. Pipe Horizontals (Steel) @ 6'-0 Max.

W8 x 10 @ 11' Wide Bldgs.
W6 x 9 @ 8' Wide Bldgs.

9' O.I.D. @ 11' WIDE BLDGS.
8' O.I.D. @ 8' WIDE BLDGS.

2" Alum. "Z" Stud Spa. @ 11-9/16" o.c. Riveted To Extrusion Top & Bot. w/1 - 3/16" Solid Alum. Rivet

2 - 3/16" Solid Alum. Rivets Ea. "Z" Stud To Lower Rail IA-4247 And To Roof Rail IA-4235 (4 Per Stud)

Plastic Vinyl Tape Barrier (Between rub-rail and steel channel)

IA-4247

C5 x 6.7 @ Perimeter (Steel) Cont. Weld @ Corners 3/16" @ 36" O.C.

1/4" x 4" Self Tap Screw (Steel) (16" o.c. Max. Outside) (16" o.c. Max. Across)
Note: Top Layer A.C. Plywood Stapled To Plywood Below @ 8" o.c. (.06 x 2") Steel

1 1/2" Insulation (R=10.8)

Base Molding

1/8" Vinyl Tile (Glued In Place)

3/8" x 1" Self Tap Screw (Steel)(Ctr'd. between studs)

Contact Cement

.050" Alum. Roofing Deck Is Riveted To IA-4235 w/3/16" Solid Alum. Rivet @ 6" O.C. Max.

IA-4235 Cont. w/ Alum. Corners (No Splices)

See Note "A"

.040 Alum Wall Panel Riveted To IA-4235 And Wall Studs ("Z") w/ 3/16" Solid Alum. Rivets @ 3" Max.

Tapered Wood Joist

2" Insulation (R=14.4)

#16 Ga. x 1" Penetration Steel Staples @ 6" o.c.

Plywood Fill

2" x 4" Wood (Cont.)

See Note "A"

5/16" x 1" M.B. Steel (Ctr'd. between studs)

#120 Spiral Hardened Nails or Screw @ 12" o.c. (Thru Lip Of Extrusion Into 2" x 4" Cont.)

Alum. Wall "Z"

15/32" Plywood

5/16" Alum. Faced Plywood Glued To 15/32" Plywood

#6 Self-Tapping Screws Thru Lip Of Extrusion @ 6" o.c.

#6 Steel Self-Tapping Screws Thru "Z" @ 10" o.c.

15/32" Plywood

5/16" Alum. Faced Plywood Glued To 15/32" Plywood

2" Insulation Foam (R=14.4) Or 1 1/4" Insulation + #11 Ga. Steel + 1/2" Insulation (R=12.6) #11 Ga. Steel For Bullet Resistance Only - Not Structural

Alum. Sht. Skirt Stapled to Plywood (4 sides)

.015 Alum. Sheathing Stapled to Plywood

Detail G

Base Molding

1/8" Vinyl Tile (Glued In Place)

1 1/2" Insulation (R=10.8)

2 - 3/16" Solid Aluminum Rivets Ea. "Z" Stud To Lower Rail IA-4247 And To Roof Rail IA-4235 (4 Per Stud)

3/8" x 1" Self-Tap Screw (Steel) @ 11 1/2" O.C. (Ctr'd. between studs)

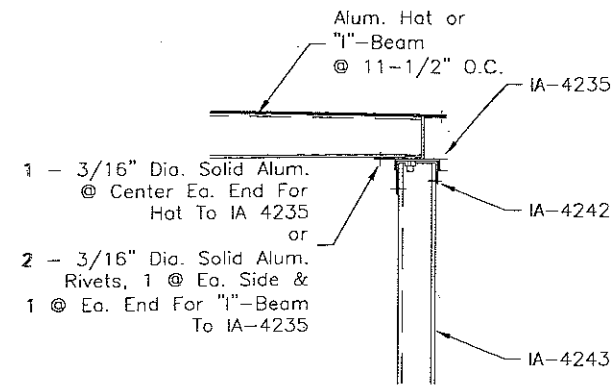
W8x10 or W6x9

11' Wide x 30' Long x 9' I.D. Maximum Shelter Dimensions

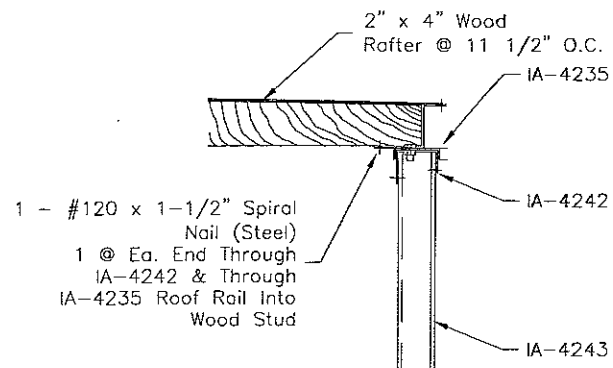
1 PROPRIETARY AND CONFIDENTIAL
THIS DOCUMENT AND THE INFORMATION CONTAINED HEREIN ARE THE SOLE PROPERTY OF FWT, INC. DUPLICATION OR DISSEMINATION OF THIS INFORMATION WITHOUT PRIOR WRITTEN CONSENT OF FWT, INC. IS PROHIBITED.

FWT, Inc.
5750 East I-20
Fort Worth, Texas 76119 U.S.A.
(817) 255-3060 FAX (817) 255-8656

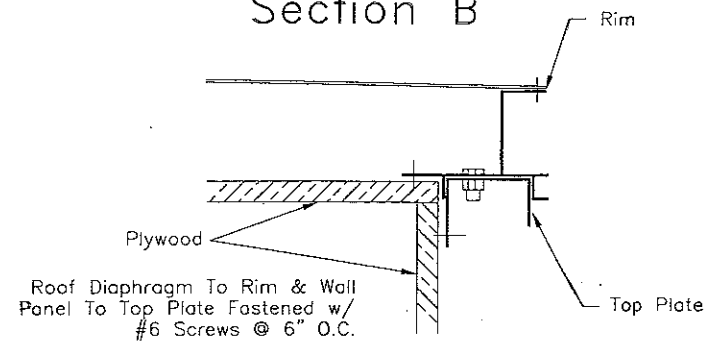
REV.	DATE	BY	INIT.	DESCRIPTION
1		JCASE		11' x 30' (9' CLG) EQUIPMENT SHELTER
DRAWN BY: JCASE				CAD FILE: \\FWT_MASTERS\SHelters\CUSTOMER\M_11x30-13.DWG
SPECIFIC INFORMATION				SCALE: NONE
DRAWING TITLE				DATE: 06-JUL-2001
TYPICAL CONSTRUCTION DETAILS				SHEET NO. 13 OF 14
JOB NO. MCI-MASTER				DRAWING NO. 11x30-13



Section A



Section B



Note A

GENERAL NOTES:

1. Plastic Foam Insulation Board Meets Or Exceeds The Limitations Of UBC, SBC, And BOCA In Accordance With ASTM E-84. Maximum Smoke Developed Rating Of 450 Maximum Flame Spread Rating Of 75
2. Wall Frames Are Composed Of .040 Exterior Aluminum Panels Riveted To Aluminum "Z" Studs Spaced @ 11-1/2".
3. Roof Frame Is Composed Of .050 Aluminum Stretched Over Aluminum "Hat" Or "I" Beam Sections And Riveted At Perimeter.
4. All Steel To Be A36, All Bolts To Be A307.
5. For Wall, Floor, And Floor Live Loads See Cover Sheet.
6. All Aluminum Type 6063-T5, 6105-T6 Or Better.

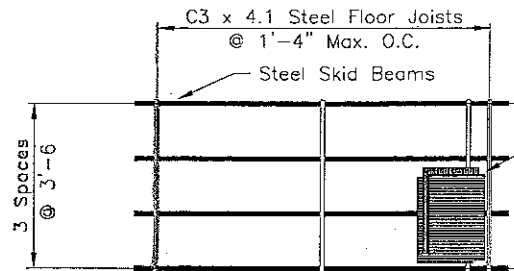
FRAMING NOTES:

1. Roof Joists, Both Alum. & Wood, Bear On Sidewalls.
2. See Typical Construction Details For Connections And Methods Of Attachment.
3. All Wood Used Structurally To Be Southern Pine #1 Dense Grade Or Better Fb = 1500 psi After Taper (Regroded).
4. Floor Framing Is Not Considered For Strength In Allowable Floor Load Calc.

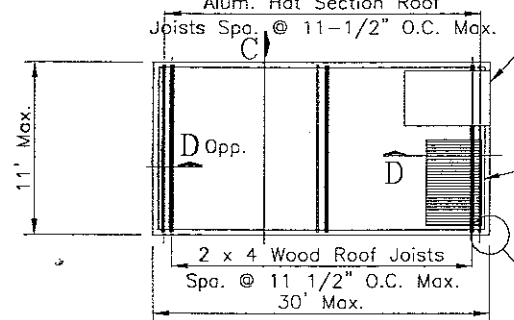
DETAIL FOR ALUM. "HAT"
IA-4236 - 6105 T6 ROOF BOW

MFG. SPECIFICATIONS

Ix = .302 IN 4
Sx = .275 IN 3
Iy = .468 IN 4
Sy = .245 IN 3
E = 1 x 10(7) psi
Fy = 3.5 x 10(4) psi



Typical Floor Framing Plan

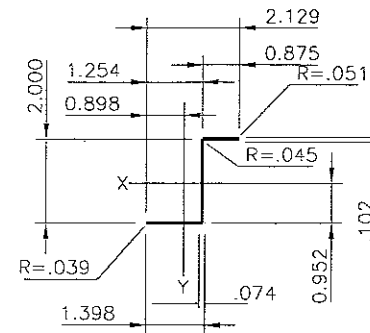


Typical Roof Framing Plan

DETAIL FOR ALUM. "Z"
IA-4243 - 6105 T6 WALL STUDS

MFG. SPECIFICATIONS

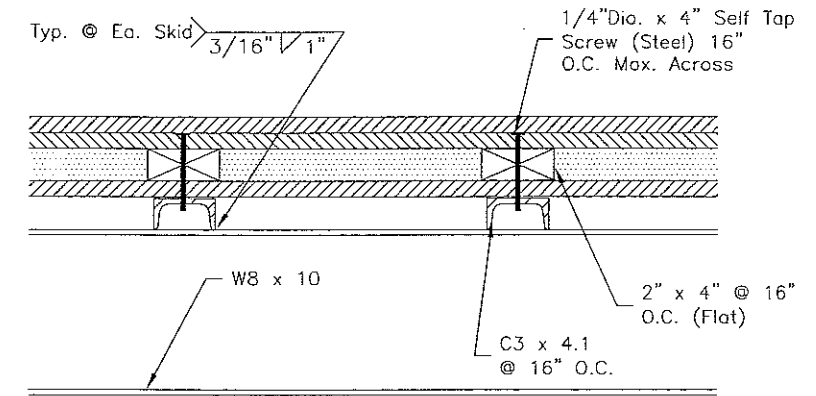
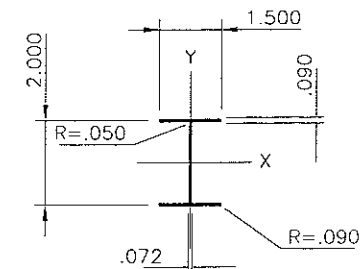
Ix = .214 IN 4
Sx = .204 IN 3
Iy = .069 IN 4
Sy = .057 IN 3
E = 1 x 10(7) psi
Fy = 3.5 x 10(4) psi



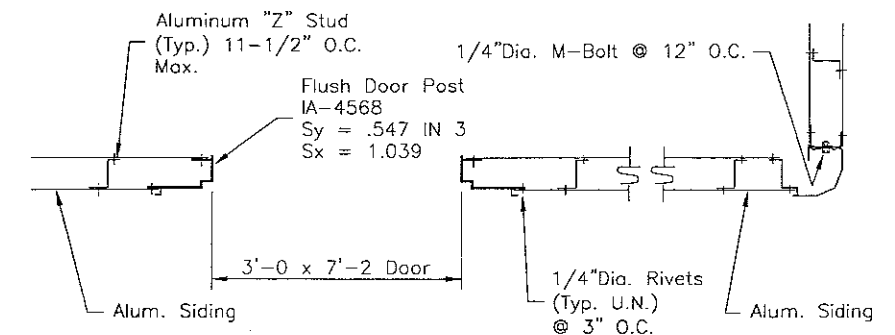
DETAIL FOR ALUM. "I-BEAM"
IA-4237 - 6105 T6 ROOF BOW

MFG. SPECIFICATIONS

Ix = .274 IN 4
Sx = .274 IN 3
Iy = .042 IN 4
Sy = .056 IN 3
E = 1 x 10(7) psi
Fy = 3.5 x 10(4) psi



Section F



PARTIAL SECTION THRU BLDG. "E"

11' Wide x 30' Long x 9' I.D. Maximum Shelter Dimensions

PROPRIETARY AND CONFIDENTIAL
THIS DOCUMENT AND THE INFORMATION
CONTAINED HEREIN ARE THE SOLE PROPERTY OF
FWT, INC. DUPLICATION OR DISSEMINATION OF
THIS INFORMATION WITHOUT PRIOR WRITTEN
CONSENT OF FWT, INC. IS PROHIBITED.

FWT, Inc.
5750 East I-20
Fort Worth, Texas 76119 U.S.A.
(817) 255-3060 FAX (817) 255-8656

REV.	DATE	BY	INIT.	DESCRIPTION
1		JCASE		11' x 30' (9' CLG) EQUIPMENT SHELTER
DRAWN BY: JCASE				CAD FILE: W:_FWT_MASTERS\SHELTERS\CUSTOMER\M_11X30-14.DWG\17-JUL-2001\12:15
CHECKED BY:				SCALE: NONE
DATE: 06-JUL-2001				SHEET NO. 14 OF 14
DRAWING TITLE: TYPICAL CONSTRUCTION DETAILS				JOB NO. MCI-MASTER
				DRAWING NO. 11x30-14